

Inductive sensor

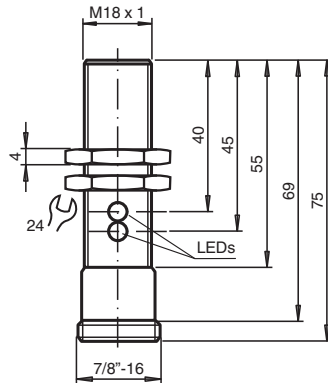
NBB8-18GM55-UO-V93



- Cylindrical
- 8 mm flush
- 2-wire AC/DC



Dimensions



Technical Data

General specifications

| | | |
|----------------------------|-------|----------------------|
| Switching function | | Normally closed (NC) |
| Output type | | Two-wire |
| Rated operating distance | s_n | 8 mm |
| Installation | | flush |
| Output polarity | | AC/DC |
| Reduction factor r_{Al} | | 0.45 |
| Reduction factor r_{Cu} | | 0.4 |
| Reduction factor r_{304} | | 0.7 |
| Output type | | 3-wire |

Nominal ratings

| | | |
|-----------------------------|-------|---------------------|
| Switching frequency | f | 30 Hz |
| Hysteresis | H | 3 ... 15 % typ. 5 % |
| Reverse polarity protection | | yes |
| Short-circuit protection | | yes |
| Voltage drop | U_d | ≤ 8 V |
| Rated operating current | I_e | 4 ... 300 mA AC/DC |
| Off-state current | I_r | ≤ 0.8 mA |
| Operating voltage indicator | | LED, green |
| Switching state indicator | | LED, yellow |

Release date: 2025-06-05 Date of issue: 2025-06-05 Filename: 198081_eng.pdf

Technical Data

| Functional safety related parameters | | |
|--|----------------|---|
| MTTF _d | | 1004 a |
| Mission Time (T _M) | | 20 a |
| Diagnostic Coverage (DC) | | 0 % |
| Electrical specifications | | |
| Rated operating voltage | U _e | 20 ... 250 V AC/DC |
| Compliance with standards and directives | | |
| Standard conformity | | |
| Standards | | EN IEC 60947-5-2 |
| Approvals and certificates | | |
| UL approval | | cULus Listed, General Purpose |
| CSA approval | | cCSAus Listed, General Purpose |
| CCC approval | | Certified by China Compulsory Certification (CCC) |
| Ambient conditions | | |
| Ambient temperature | | -25 ... 70 °C (-13 ... 158 °F) |
| Storage temperature | | -40 ... 85 °C (-40 ... 185 °F) |
| Mechanical specifications | | |
| Connection type | | Connector plug |
| Housing material | | brass, nickel-plated |
| Sensing face | | PBT |
| Degree of protection | | IP67 |
| Connector | | |
| Threading | | 7/8 inch-16 UN |
| Number of pins | | 3 |
| Mass | | 74 g |
| Dimensions | | |
| Length | | 75 mm |
| Diameter | | 18 mm |

Connection

