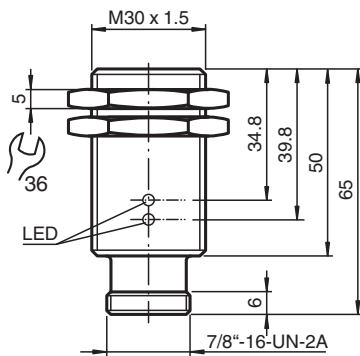


Inductive sensor NBB15-30GM50-UO-V93

- 15 mm flush
- Cylindrical
- 2-wire AC/DC



Dimensions



Technical Data

General specifications

| | | |
|----------------------------|-------|----------------------|
| Switching function | | Normally closed (NC) |
| Output type | | Two-wire |
| Rated operating distance | s_n | 15 mm |
| Installation | | flush |
| Output polarity | | AC/DC |
| Reduction factor r_{Al} | | 0.5 |
| Reduction factor r_{Cu} | | 0.45 |
| Reduction factor r_{304} | | 0.75 |
| Output type | | 3-wire |

Nominal ratings

| | | |
|-----------------------------|-------|---------------------|
| Switching frequency | f | 30 Hz |
| Hysteresis | H | 3 ... 15 % typ. 5 % |
| Reverse polarity protection | | yes |
| Short-circuit protection | | yes |
| Voltage drop | U_d | ≤ 8 V |
| Rated operating current | I_e | 4 ... 500 mA AC/DC |
| Off-state current | I_r | ≤ 0.8 mA |
| Operating voltage indicator | | LED, green |
| Switching state indicator | | LED, yellow |

Electrical specifications

| | | |
|-------------------------|-------|--------------------|
| Rated operating voltage | U_e | 20 ... 250 V AC/DC |
|-------------------------|-------|--------------------|

Compliance with standards and directives

| | | |
|---------------------|--|------------------|
| Standard conformity | | |
| Standards | | EN IEC 60947-5-2 |

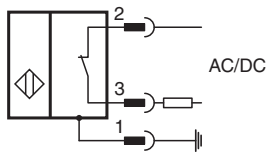
Approvals and certificates

Release date: 2025-06-05 Date of issue: 2025-06-05 Filename: 198093_eng.pdf

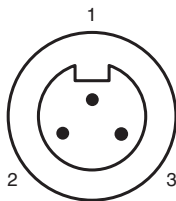
Technical Data

| | |
|----------------------------------|---|
| UL approval | cULus Listed, General Purpose |
| CSA approval | cCSAus Listed, General Purpose |
| CCC approval | Certified by China Compulsory Certification (CCC) |
| Ambient conditions | |
| Ambient temperature | -25 ... 70 °C (-13 ... 158 °F) |
| Storage temperature | -40 ... 85 °C (-40 ... 185 °F) |
| Mechanical specifications | |
| Connection type | Connector plug |
| Housing material | brass, nickel-plated |
| Sensing face | PBT |
| Degree of protection | IP67 |
| Connector | |
| Threading | 7/8 inch-16 UN |
| Number of pins | 3 |
| Dimensions | |
| Length | 65 mm |
| Diameter | 30 mm |

Connection



Connection Assignment



Wire colors

| | | |
|---|----|---------|
| 1 | GN | (green) |
| 2 | BK | (black) |
| 3 | WH | (white) |

Release date: 2025-06-05 Date of issue: 2025-06-05 Filename: 198093_eng.pdf