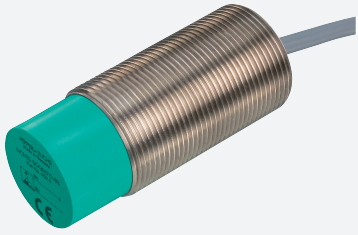


Inductive sensor

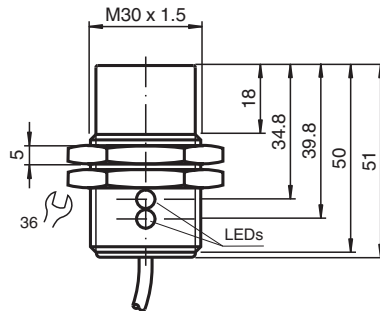
NBN25-30GM50-UO



- 25 mm non-flush
- Cylindrical
- 2-wire AC/DC



Dimensions



Technical Data

General specifications

Switching function		Normally closed (NC)
Output type		Two-wire
Rated operating distance	s_n	25 mm
Installation		non-flush
Output polarity		AC/DC
Reduction factor r_{Al}		0.47
Reduction factor r_{Cu}		0.44
Reduction factor r_{304}		0.77
Output type		3-wire

Nominal ratings

Switching frequency	f	30 Hz
Hysteresis	H	3 ... 15 % typ. 5 %
Reverse polarity protection		yes
Short-circuit protection		yes
Voltage drop	U_d	≤ 8 V
Rated operating current	I_e	4 ... 500 mA AC/DC
Off-state current	I_r	≤ 0.8 mA
Operating voltage indicator		LED, green
Switching state indicator		LED, yellow

Electrical specifications

Rated operating voltage	U_e	20 ... 250 V AC/DC
-------------------------	-------	--------------------

Release date: 2025-06-05 Date of issue: 2025-06-05 Filename: 198095_eng.pdf

Technical Data

Compliance with standards and directives		
Standard conformity		
Standards		EN IEC 60947-5-2
Approvals and certificates		
UL approval		cULus Listed, General Purpose
CSA approval		cCSAus Listed, General Purpose
CCC approval		Certified by China Compulsory Certification (CCC)
Ambient conditions		
Ambient temperature		-25 ... 70 °C (-13 ... 158 °F)
Storage temperature		-40 ... 85 °C (-40 ... 185 °F)
Mechanical specifications		
Connection type		cable
Housing material		brass, nickel-plated
Sensing face		PBT
Degree of protection		IP67
Cable		
Wire end ferrules		yes
Cable diameter		6.2 mm ± 0.6 mm
Bending radius		> 10 x cable diameter
Material		PUR
Color		black
Number of cores		3
Core cross section		0.5 mm ²
Length	L	2 m
Mass		221 g
Dimensions		
Length		51 mm
Diameter		30 mm

Connection Assignment

