

# Inductive sensor

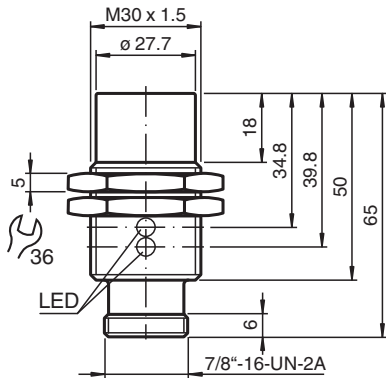
## NBN25-30GM50-UO-V93



- Cylindrical
- 25 mm non-flush
- 2-wire AC/DC



### Dimensions



### Technical Data

General specifications		
Switching function		Normally closed (NC)
Output type		Two-wire
Rated operating distance	$s_n$	25 mm
Installation		non-flush
Output polarity		AC/DC
Reduction factor $r_{Al}$		0.47
Reduction factor $r_{Cu}$		0.44
Reduction factor $r_{304}$		0.77
Output type		3-wire
Nominal ratings		
Switching frequency	$f$	30 Hz
Hysteresis	$H$	3 ... 15 % typ. 5 %
Reverse polarity protection		yes
Short-circuit protection		yes
Voltage drop	$U_d$	$\leq 8$ V
Rated operating current	$I_e$	4 ... 500 mA AC/DC
Off-state current	$I_r$	$\leq 0.8$ mA
Operating voltage indicator		LED, green

Release date: 2025-06-05 Date of issue: 2025-06-05 Filename: 198099\_eng.pdf

## Technical Data

Switching state indicator	LED, yellow	
<b>Electrical specifications</b>		
Rated operating voltage	$U_e$	20 ... 250 V AC/DC
<b>Compliance with standards and directives</b>		
Standard conformity		
Standards		EN IEC 60947-5-2
<b>Approvals and certificates</b>		
UL approval		cULus Listed, General Purpose
CSA approval		cCSAus Listed, General Purpose
CCC approval		Certified by China Compulsory Certification (CCC)
<b>Ambient conditions</b>		
Ambient temperature		-25 ... 70 °C (-13 ... 158 °F)
Storage temperature		-40 ... 85 °C (-40 ... 185 °F)
<b>Mechanical specifications</b>		
Connection type	Connector plug	
Housing material	brass, nickel-plated	
Sensing face	PBT	
Degree of protection	IP67	
Connector		
Threading	7/8 inch-16 UN	
Number of pins	3	
Mass	135 g	
Dimensions		
Length	65 mm	
Diameter	30 mm	

## Connection

