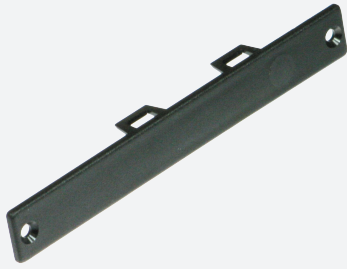
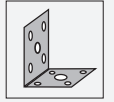


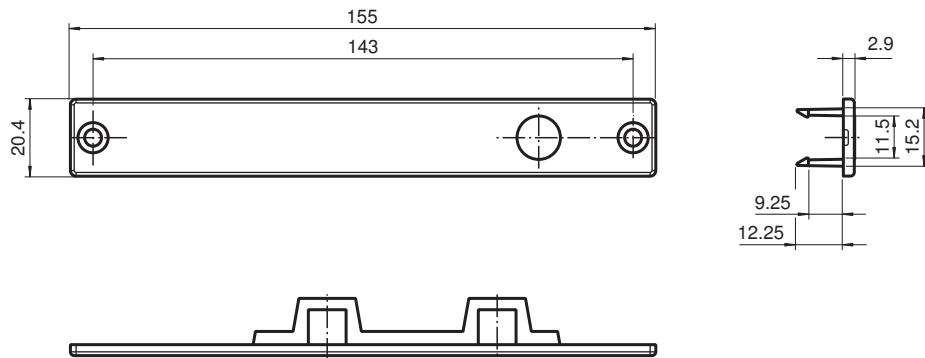
Mounting aid DGE ML29 Front Plate



Front plate for thru-beam sensors in series ML29



Dimensions



Technical Data

Ambient conditions

Ambient temperature -20 ... 85 °C (-4 ... 185 °F)

Mechanical specifications

Release date: 2020-03-23 Date of issue: 2020-10-08 Filename: 198202_eng.pdf

Technical Data

Material	Makrolon (IR permeable)
Mass	approx. 11 g
Suitable series	
Series	ML29