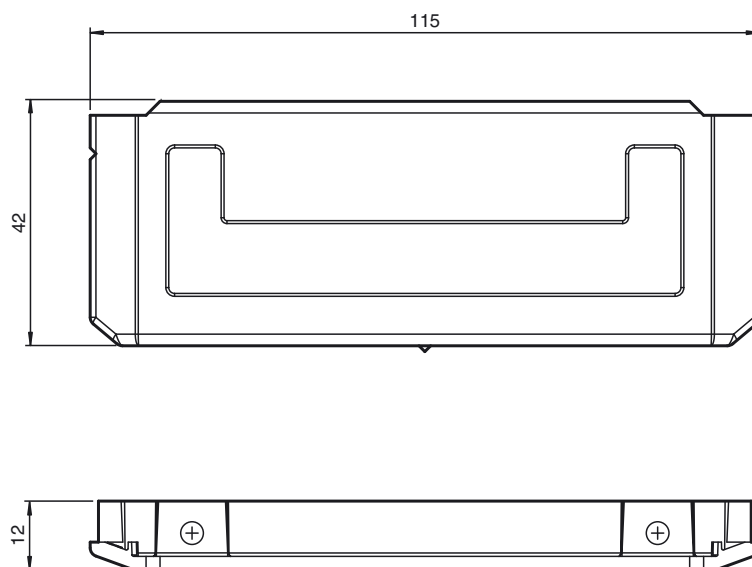


**Model number****WCS2-PL2**

Transparent protective case and seal for WCS2 reader

Dimensions**Technical data****Mechanical specifications**

Material	Transparent polycarbonate Gasket: EPDM
Mass	35 g