

# Ind. angular measuring system

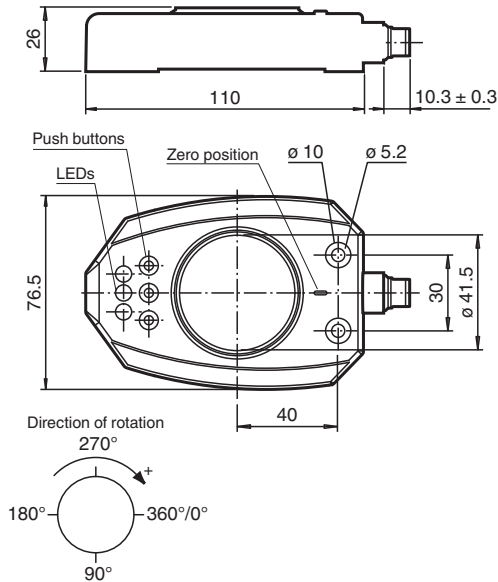
## PMI360D-F130-IE8-V15



- Measuring range 0 ... 360°
- Analog output 4 mA ... 20 mA
- Adjustable switch points



### Dimensions



### Technical Data

#### General specifications

Installation	non-flush
Measurement range	360°
Rotational speed	max. 100 min <sup>-1</sup>

#### Nominal ratings

Operating voltage	U <sub>B</sub>	18 ... 30 V
Reverse polarity protection		reverse polarity protected
Repeat accuracy	R	± 0.25 °
Resolution		0.4°
Temperature drift		0.02 ° / °C (-25 °C ... 70 °C)
No-load supply current	I <sub>0</sub>	≤ 45 mA
Operating voltage indicator		LED green

#### Functional safety related parameters

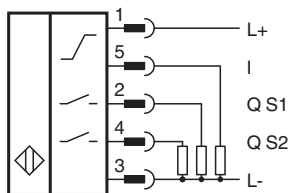
MTTF <sub>d</sub>	265 a
-------------------	-------

Release date: 2024-06-25 Date of issue: 2024-06-25 Filename: 199092\_eng.pdf

## Technical Data

Mission Time (T <sub>M</sub> )		20 a
Diagnostic Coverage (DC)		0 %
<b>Switching output</b>		
Output type		2 switch outputs PNP, NO , reverse polarity protected , short-circuit protected
Operating current	I <sub>L</sub>	≤ 100 mA
Voltage drop		≤ 3 V
Short-circuit protection		pulsing
<b>Analog output</b>		
Output type		1 current output: 4 ... 20 mA
Linearity error		± 0.6 ° , (with original actuator)
Load resistor		≤ 400 Ω
<b>Compliance with standards and directives</b>		
Standard conformity		
Standards		EN 60947-5-2:2007 IEC 60947-5-2:2007
<b>Approvals and certificates</b>		
UL approval		cULus Listed, General Purpose, Class 2 Power Source
CCC approval		CCC approval / marking not required for products rated ≤36 V
<b>Ambient conditions</b>		
Ambient temperature		-25 ... 70 °C (-13 ... 158 °F)
Storage temperature		-40 ... 100 °C (-40 ... 212 °F)
<b>Mechanical specifications</b>		
Connection type		5-pin, M12 x 1 connector
Housing material		PBT
Shaft diameter		max. 27.5 mm Steel
Degree of protection		IP67
Mass		180 g
Dimensions		
Height		22 mm
Width		76.5 mm
Length		120 mm

## Connection



## Dimensions

dimensions of the target object:

