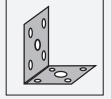


Accessories

TopScan-S Test Kit

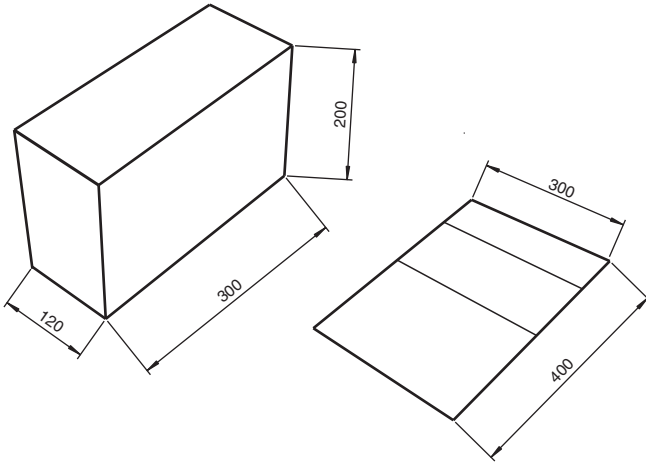


■ Adjustment accessories series TopScan-S

Adjustment accessories TopScan-S



Dimensions



Technical Data

Mechanical specifications

Material	cardboard
Mass	approx. 315 g
Suitable series	
Series	TopScan-S

Release date: 2020-03-23 Date of issue: 2020-10-08 Filename: 199125_eng.pdf