



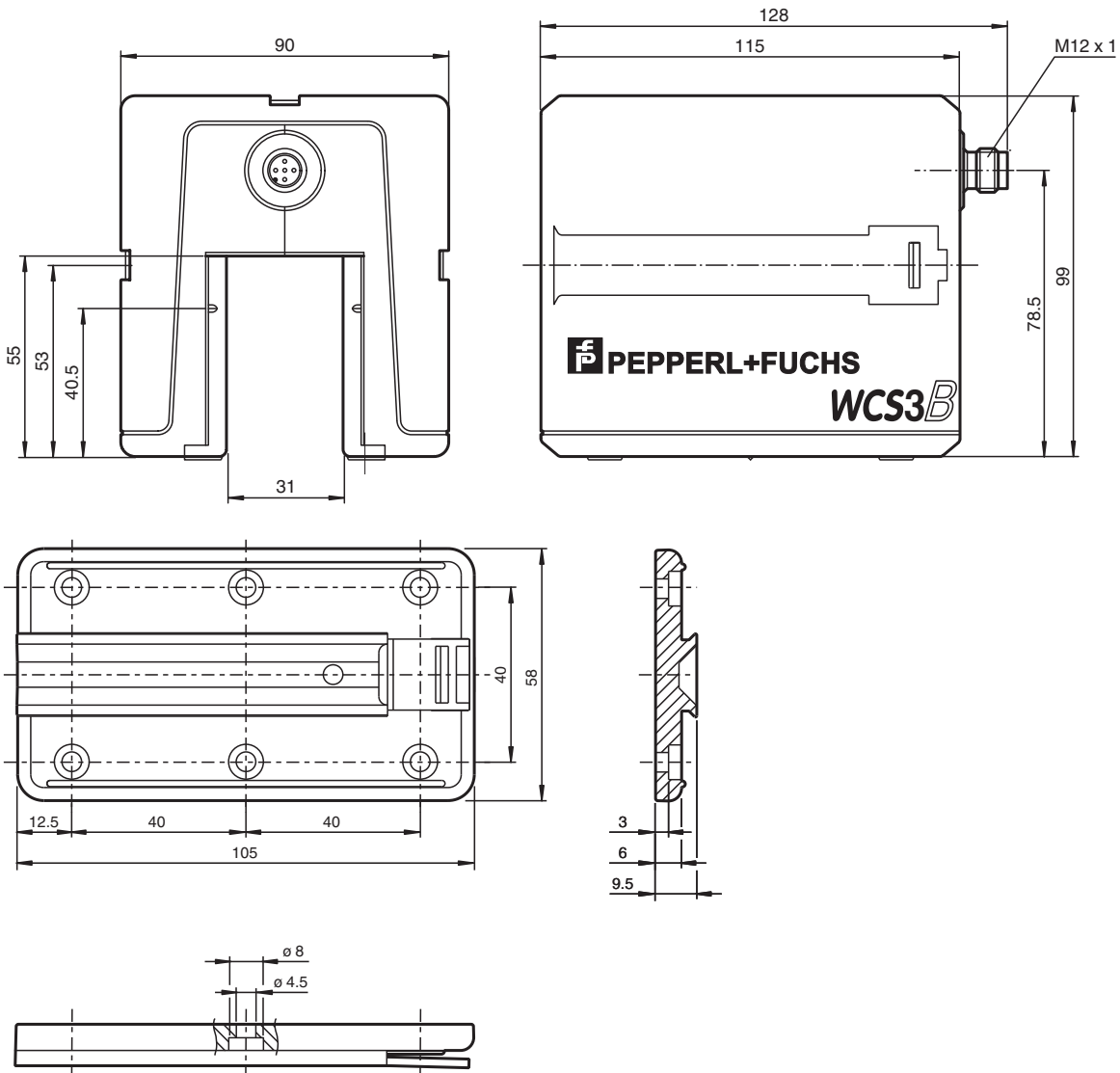
## Read head WCS3B-LS111

- RS-485 interface
- Non-contact, absolute position encoder
- Automatic detection of dirt accumulation

Reading head, RS-485 interface, without RS-485 terminal resistor



### Dimensions

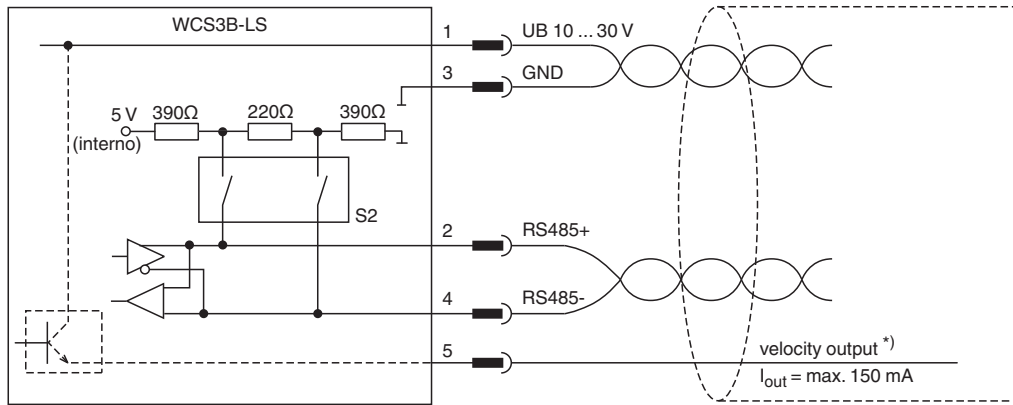


Release date: 2024-11-26 Date of issue: 2024-11-26 Filename: 199290-0001\_eng.pdf

## Technical Data

General specifications		
Passage speed	v	≤ 12.5 m/s
Measuring length		max. 314.5 m
Free tolerances to code rail		horizontal: 31 mm ( ± 15.5 mm ) vertical: 28 mm ( ± 14 mm )
Resolution		± 0.4 mm (1,250 positions/m)
Functional safety related parameters		
MTTF <sub>d</sub>		236 a
Mission Time (T <sub>M</sub> )		20 a
Diagnostic Coverage (DC)		0 %
Indicators/operating means		
Operation indicator		LED green: power on
Data flow indicator		LED yellow: data communication active
Error indicator		LED red flashing: read head outside of code rail solid on: internal diagnostic test failed
Electrical specifications		
Operating voltage	U <sub>B</sub>	10 ... 30 V DC
Power consumption	P <sub>0</sub>	2 VA
Interface		
Interface type		RS 485 interface
Data output code		binary code
Protocol		1 , 2
Transfer rate		187.5 kBit/s
Address		0
Termination		without RS 485 termination
Output		
Output velocity		no
Standard conformity		
Emitted interference		DIN EN 61000-6-4 , DIN EN 12015
Noise immunity		DIN EN 61000-6-2 , DIN EN 12016
Shock resistance		DIN EN 60068-2-27, half sine 30 g, 18 ms
Vibration resistance		DIN EN 60068-2-6, sine, 5 g, 10 - 2000 Hz, 10 cycles
Approvals and certificates		
CSA approval		cCSAus Certified, General Purpose Class 2 power source
CCC approval		CCC approval / marking not required for products rated ≤36 V
Ambient conditions		
Operating temperature		0 ... 60 °C (32 ... 140 °F)
Storage temperature		-40 ... 85 °C (-40 ... 185 °F)
Relative humidity		90 % , noncondensing
Mechanical specifications		
Connection type		5-pin, M12 x 1 connector
Degree of protection		IP54
Material		
Housing		ABS , PC (Polycarbonate)
Mass		500 g
General information		
Ordering information		Mounting plate included with delivery

Connection



WCS3B-LS2... S2 = ON  
 WCS3B-LS1... S2 = OFF

\*) only with option S, velocity output

Release date: 2024-11-26 Date of issue: 2024-11-26 Filename: 199290-0001\_eng.pdf