



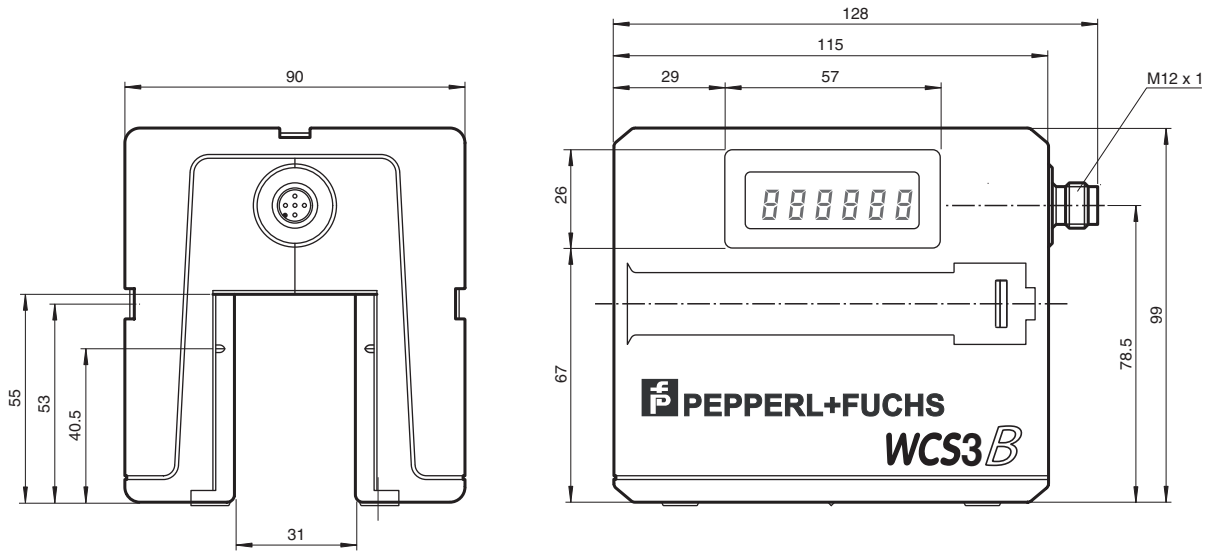
## Read head WCS3B-LS116D

- RS-485 interface
- Non-contact, absolute position encoder
- Automatic detection of dirt accumulation
- Integrated display module

Reading head, RS-485 interface, without RS-485 terminal resistor

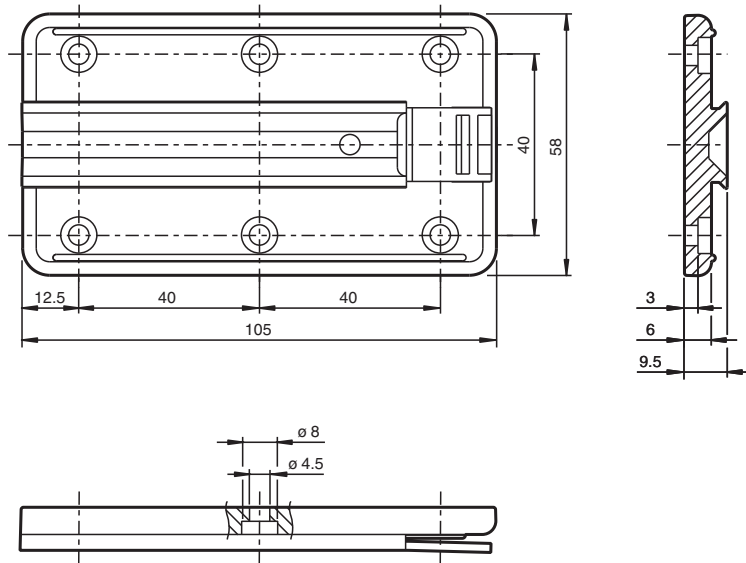


### Dimensions



Release date: 2024-11-26 Date of issue: 2024-11-26 Filename: 199290-0002\_eng.pdf

## Dimensions



## Technical Data

### General specifications

Passage speed	v	≤ 12.5 m/s
Measuring length		max. 314.5 m
Free tolerances to code rail		horizontal: 31 mm ( ± 15.5 mm ) vertical: 28 mm ( ± 14 mm )
Resolution		± 0.4 mm (1,250 positions/m)

### Functional safety related parameters

MTTF <sub>d</sub>		204 a
Mission Time (T <sub>M</sub> )		20 a
Diagnostic Coverage (DC)		0 %

### Indicators/operating means

Operation indicator		LED green: power on
Data flow indicator		LED yellow: data communication active
Error indicator		LED red flashing: read head outside of code rail solid on: internal diagnostic test failed
Display		Display module, 6-digit adaptable to installation position

### Electrical specifications

Operating voltage	U <sub>B</sub>	10 ... 30 V DC
Power consumption	P <sub>0</sub>	2 VA

### Interface

Interface type		RS 485 interface
Data output code		binary code
Protocol		3
Transfer rate		187.5 kBit/s
Address		0
Termination		without RS 485 termination

### Output

Output velocity		no
-----------------	--	----

### Standard conformity

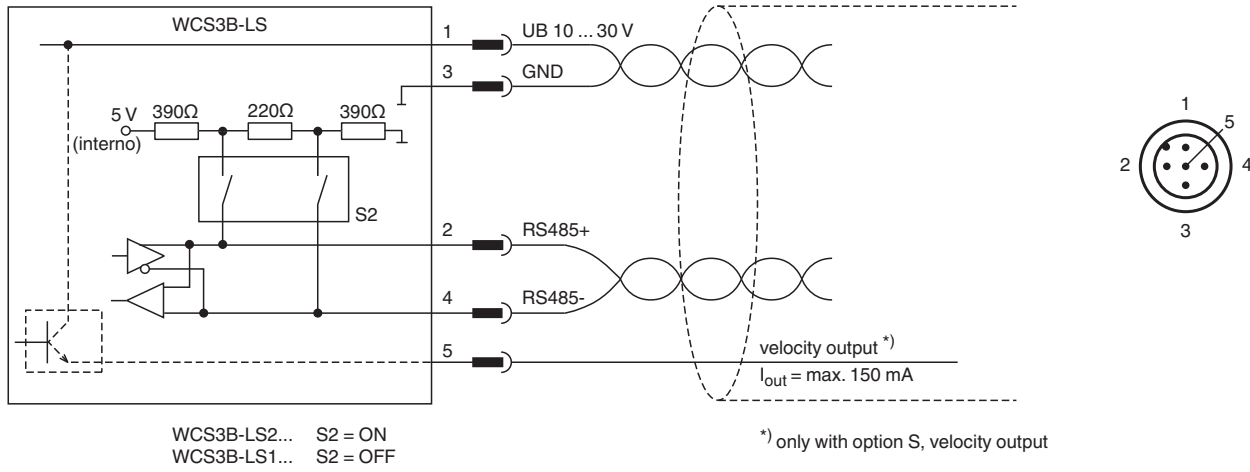
Emitted interference		DIN EN 61000-6-4 , DIN EN 12015
Noise immunity		DIN EN 61000-6-2 , DIN EN 12016
Shock resistance		DIN EN 60068-2-27, half sine 30 g, 18 ms
Vibration resistance		DIN EN 60068-2-6, sine, 5 g, 10 - 2000 Hz, 10 cycles

### Approvals and certificates

**Technical Data**

CSA approval	cCSAus Certified, General Purpose Class 2 power source
CCC approval	CCC approval / marking not required for products rated ≤36 V
<b>Ambient conditions</b>	
Operating temperature	0 ... 60 °C (32 ... 140 °F)
Storage temperature	-40 ... 85 °C (-40 ... 185 °F)
Relative humidity	90 % , noncondensing
<b>Mechanical specifications</b>	
Connection type	5-pin, M12 x 1 connector
Degree of protection	IP54
Material	
Housing	ABS , PC (Polycarbonate)
Mass	500 g
<b>General information</b>	
Ordering information	Mounting plate included with delivery

**Connection**



Release date: 2024-11-26 Date of issue: 2024-11-26 Filename: 199290-0002\_eng.pdf