



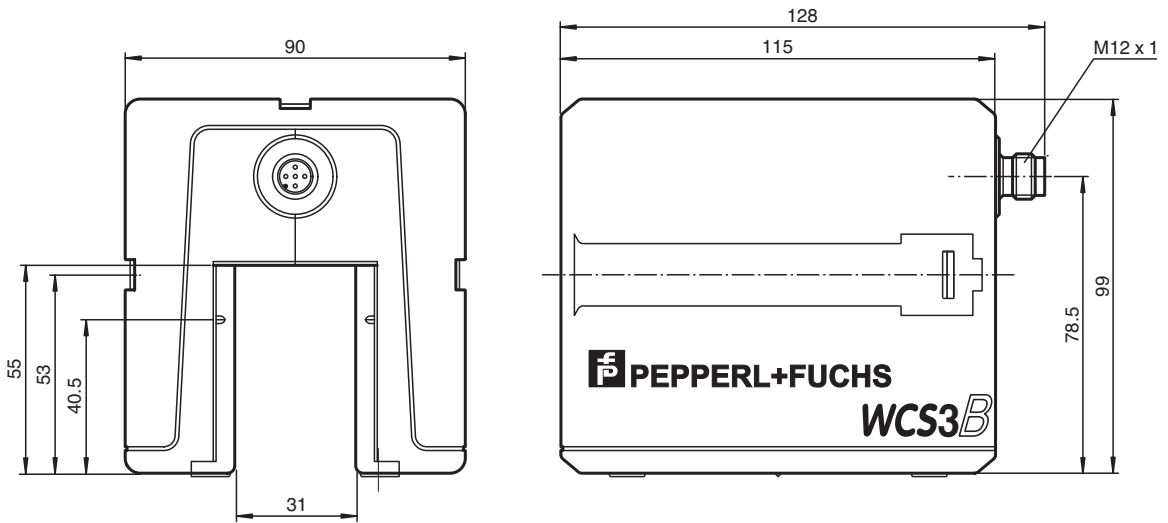
Read head WCS3B-LS146

- RS-485 interface
- Non-contact, absolute position encoder
- Automatic detection of dirt accumulation

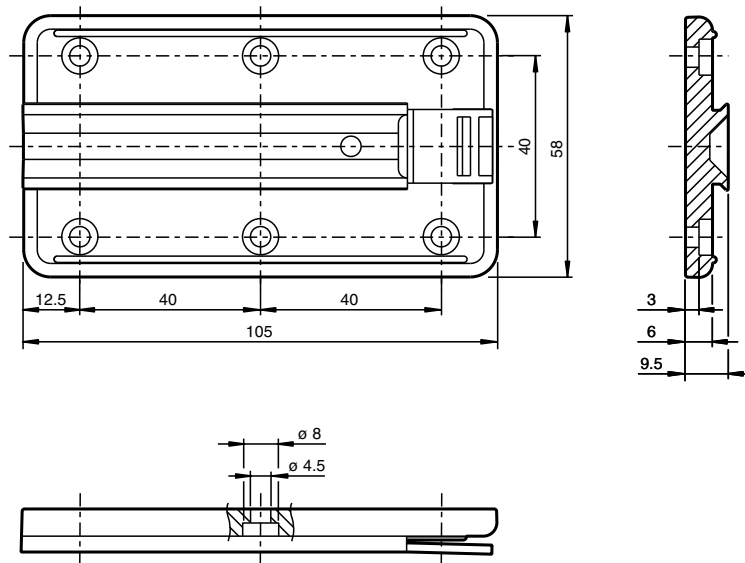
Reading head, RS-485 interface, without RS-485 termination resistor



Dimensions



Dimensions



Technical Data

General specifications

| | | |
|------------------------------|---|--|
| Passage speed | v | ≤ 12.5 m/s |
| Measuring range | | max. 314.5 m |
| Free tolerances to code rail | | horizontal: 31 mm (± 15.5 mm) vertical: 28 mm (± 14 mm) |
| Resolution | | ± 0.4 mm (1,250 positions/m) |

Functional safety related parameters

| | | |
|--------------------------------|--|-------|
| MTTF _d | | 236 a |
| Mission Time (T _M) | | 20 a |
| Diagnostic Coverage (DC) | | 0 % |

Indicators/operating means

| | | |
|---------------------|--|--|
| Operation indicator | | LED green: power on |
| Data flow indicator | | LED yellow: data communication active |
| Error indicator | | LED red flashing: read head outside of code rail solid on: internal diagnostic test failed |

Electrical specifications

| | | |
|-------------------|----------------|----------------|
| Operating voltage | U _B | 10 ... 30 V DC |
| Power consumption | P ₀ | 2 VA |

Interface

| | | |
|------------------|--|----------------------------|
| Interface type | | RS 485 interface |
| Data output code | | binary code |
| Protocol | | 3 |
| Transfer rate | | 19.2 kBit/s |
| Address | | 0 |
| Termination | | without RS 485 termination |

Output

| | | |
|-----------------|--|----|
| Output velocity | | no |
|-----------------|--|----|

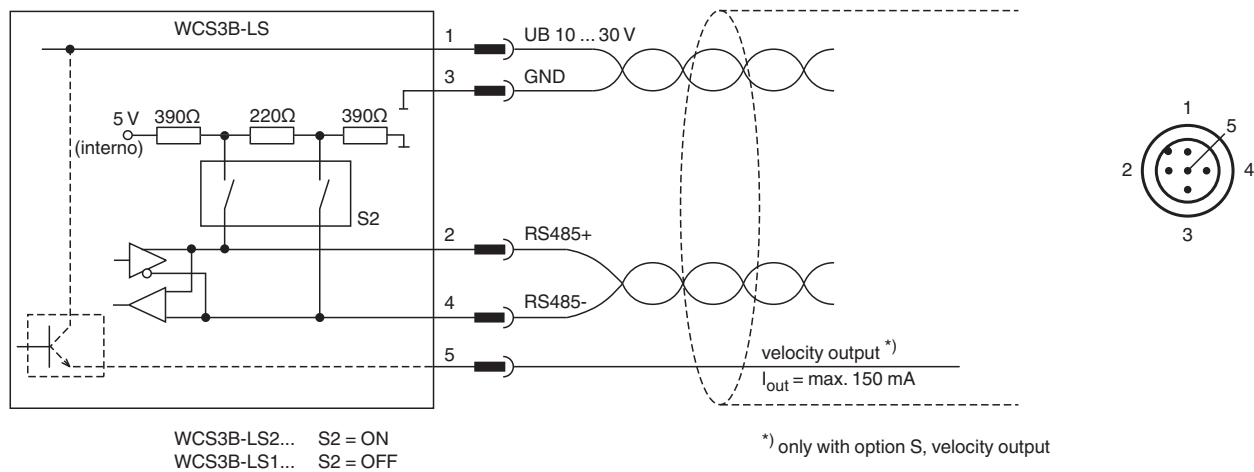
Standard conformity

| | | |
|----------------------|--|---------------------------------|
| Emitted interference | | DIN EN 61000-6-4 , DIN EN 12015 |
|----------------------|--|---------------------------------|

Technical Data

| | |
|-----------------------------------|--|
| Noise immunity | DIN EN 61000-6-2 , DIN EN 12016 |
| Shock resistance | DIN EN 60068-2-27, half sine 30 g, 18 ms |
| Vibration resistance | DIN EN 60068-2-6, sine, 5 g, 10 - 2000 Hz, 10 cycles |
| Approvals and certificates | |
| CSA approval | cCSAus Certified, General Purpose Class 2 power source |
| CCC approval | CCC approval / marking not required for products rated ≤36 V |
| Ambient conditions | |
| Operating temperature | 0 ... 60 °C (32 ... 140 °F) |
| Storage temperature | -40 ... 85 °C (-40 ... 185 °F) |
| Relative humidity | 90 % , noncondensing |
| Mechanical specifications | |
| Connection type | 5-pin, M12 x 1 connector |
| Degree of protection | IP54 |
| Material | |
| Housing | ABS , PC (Polycarbonate) |
| Mass | 500 g |
| General information | |
| Ordering information | Mounting plate included with delivery |

Connection



Accessories

| | | |
|--|------------------|---|
| | WCS3B-PL2 | Transparent protective case and seal for WCS3B reader |
| | WCS-MP1 | Mounting plate for reading heads WCS2 and WCS3 |

Release date: 2023-01-09 Date of issue: 2023-01-09 Filename: 199290-0004_eng.pdf