



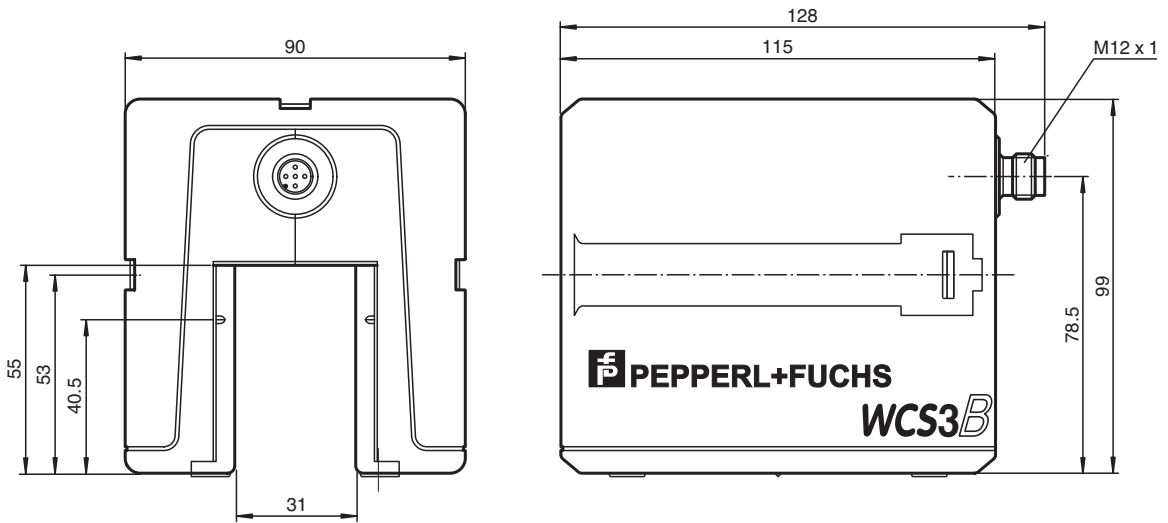
## Read head WCS3B-LS221H

- RS-485 interface
- Non-contact, absolute position encoder
- Automatic detection of dirt accumulation
- Extended temperature range

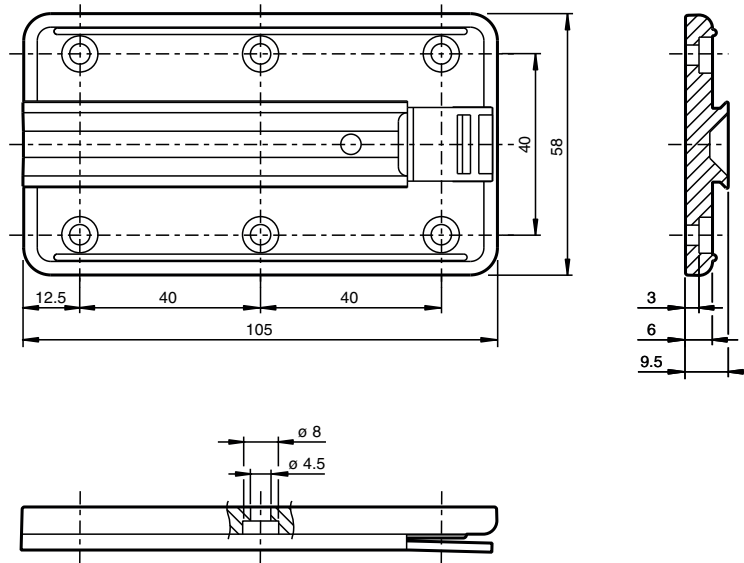
Read head, RS-485 interface, with RS-485 termination resistor



### Dimensions



## Dimensions



## Technical Data

### General specifications

Passage speed	v	≤ 12.5 m/s
Measuring range		max. 314.5 m
Free tolerances to code rail		horizontal: 31 mm ( ± 15.5 mm ) vertical: 28 mm ( ± 14 mm )
Resolution		± 0.4 mm (1,250 positions/m)

### Functional safety related parameters

MTTF <sub>d</sub>		82 a
Mission Time (T <sub>M</sub> )		10 a
Diagnostic Coverage (DC)		0 %

### Indicators/operating means

Operation indicator		LED green: power on
Data flow indicator		LED yellow: data communication active
Error indicator		LED red flashing: read head outside of code rail solid on: internal diagnostic test failed

### Electrical specifications

Operating voltage	U <sub>B</sub>	10 ... 30 V DC
Power consumption	P <sub>0</sub>	11 VA at 24 V DC

### Interface

Interface type		RS 485 interface
Data output code		binary code
Protocol		1 , 2
Transfer rate		62.5 kBit/s
Address		0
Termination		with RS 485 termination

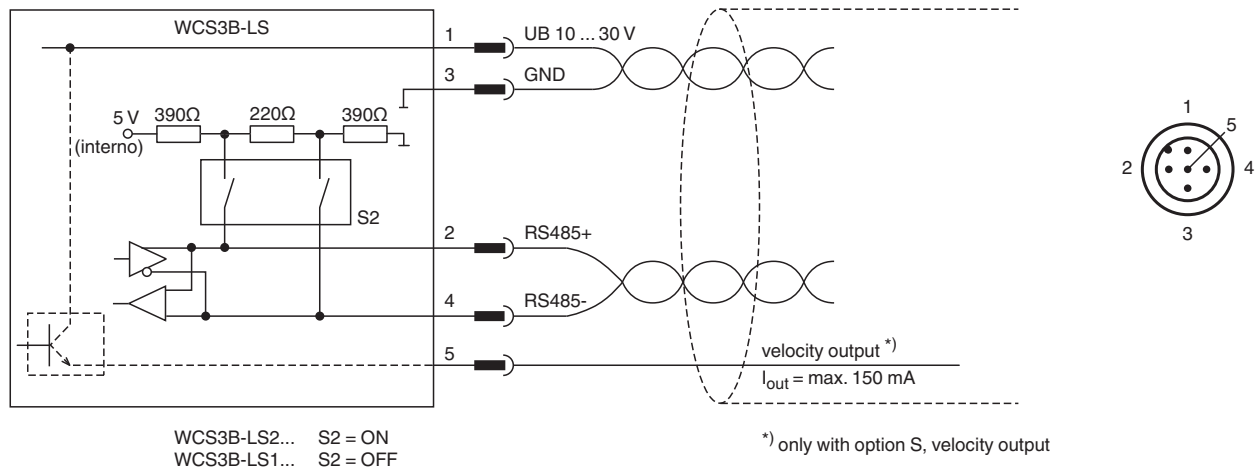
### Standard conformity

Emitted interference		DIN EN 61000-6-4 , DIN EN 12015
Noise immunity		DIN EN 61000-6-2 , DIN EN 12016
Shock resistance		DIN EN 60068-2-27, half sine 30 g, 18 ms

## Technical Data

Vibration resistance	DIN EN 60068-2-6, sine, 5 g, 10 - 2000 Hz, 10 cycles
<b>Approvals and certificates</b>	
CSA approval	cCSAus Certified, General Purpose Class 2 power source
CCC approval	CCC approval / marking not required for products rated $\leq 36$ V
<b>Ambient conditions</b>	
Operating temperature	-40 ... 60 °C (-40 ... 140 °F)
Storage temperature	-40 ... 85 °C (-40 ... 185 °F)
<b>Mechanical specifications</b>	
Connection type	5-pin, M12 x 1 connector
Degree of protection	IP54
Material	
Housing	ABS , PC (Polycarbonate)
Mass	500 g
<b>General information</b>	
Ordering information	Mounting plate included with delivery

## Connection



## Accessories

	<b>WCS3B-PL2</b>	Transparent protective case and seal for WCS3B reader
	<b>WCS-MP1</b>	Mounting plate for reading heads WCS2 and WCS3