



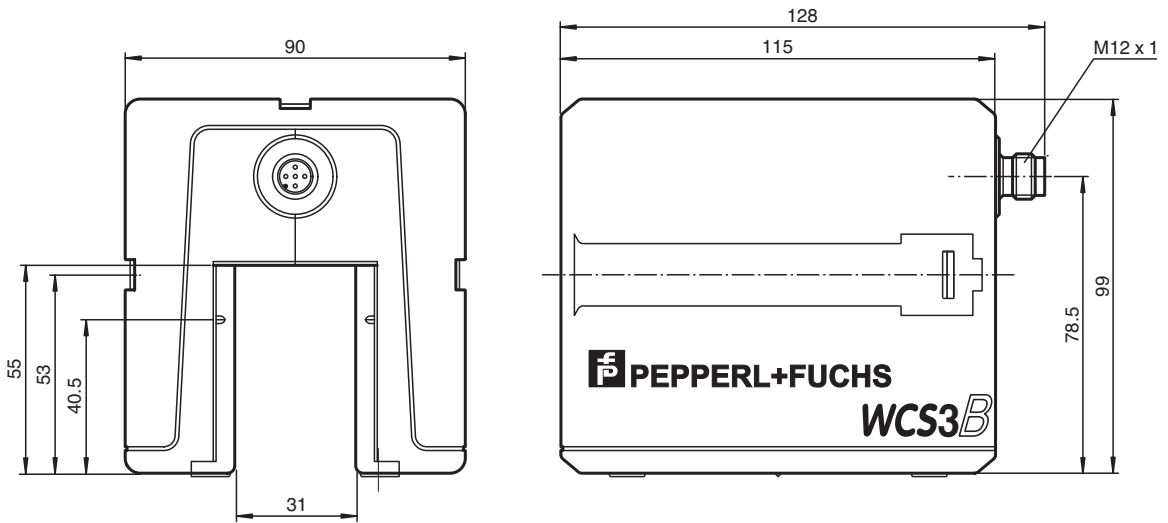
Read head WCS3B-LS221S

- RS-485 interface
- Non-contact, absolute position encoder
- Automatic detection of dirt accumulation
- Speed transfer

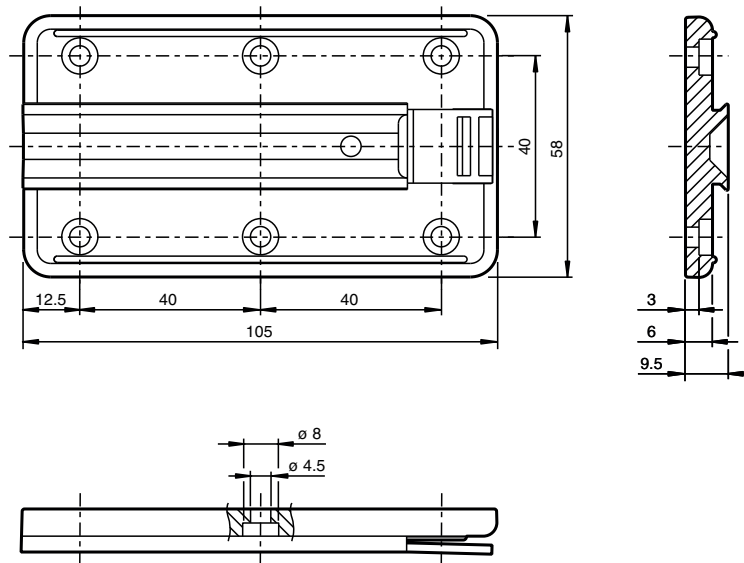
Read head, RS-485 interface, with RS-485 termination resistor



Dimensions



Dimensions



Technical Data

General specifications

Passage speed	v	≤ 12.5 m/s
Measuring range		max. 314.5 m
Free tolerances to code rail		horizontal: 31 mm (± 15.5 mm) vertical: 28 mm (± 14 mm)
Resolution		± 0.4 mm (1,250 positions/m)

Functional safety related parameters

MTTF _d		236 a
Mission Time (T _M)		20 a
Diagnostic Coverage (DC)		0 %

Indicators/operating means

Operation indicator		LED green: power on
Velocity indicator		LED yellow off, if speed limit is exceeded
Error indicator		LED red flashing: read head outside of code rail solid on: internal diagnostic test failed

Electrical specifications

Operating voltage	U _B	10 ... 30 V DC
Power consumption	P ₀	2 VA

Interface

Interface type		RS 485 interface
Data output code		binary code
Protocol		1, 2
Transfer rate		62.5 kBit/s
Address		0
Termination		with RS 485 termination

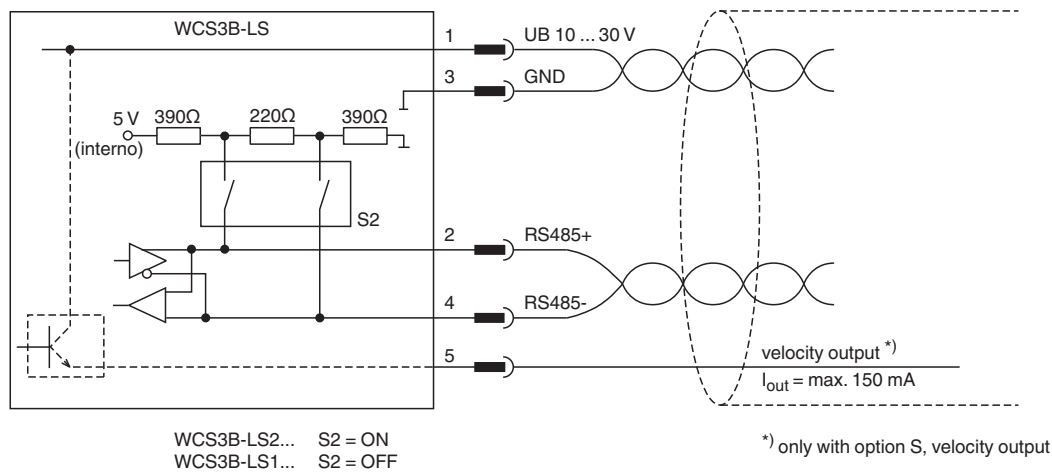
Output

Output velocity		switching output short-circuit protected
Switching voltage		Operating voltage



Technical Data

Standard conformity	
Emitted interference	DIN EN 61000-6-4 , DIN EN 12015
Noise immunity	DIN EN 61000-6-2 , DIN EN 12016
Shock resistance	DIN EN 60068-2-27, half sine 30 g, 18 ms
Vibration resistance	DIN EN 60068-2-6, sine, 5 g, 10 - 2000 Hz, 10 cycles
Approvals and certificates	
CSA approval	cCSAus Certified, General Purpose Class 2 power source
CCC approval	CCC approval / marking not required for products rated ≤ 36 V
Ambient conditions	
Operating temperature	0 ... 60 °C (32 ... 140 °F)
Storage temperature	-40 ... 85 °C (-40 ... 185 °F)
Relative humidity	90 % , noncondensing
Mechanical specifications	
Connection type	5-pin, M12 x 1 connector
Degree of protection	IP54
Material	
Housing	ABS , PC (Polycarbonate)
Mass	500 g
General information	
Ordering information	Mounting plate included with delivery

Connection



Accessories

	WCS3B-PL2	Transparent protective case and seal for WCS3B reader
	WCS-MP1	Mounting plate for reading heads WCS2 and WCS3