



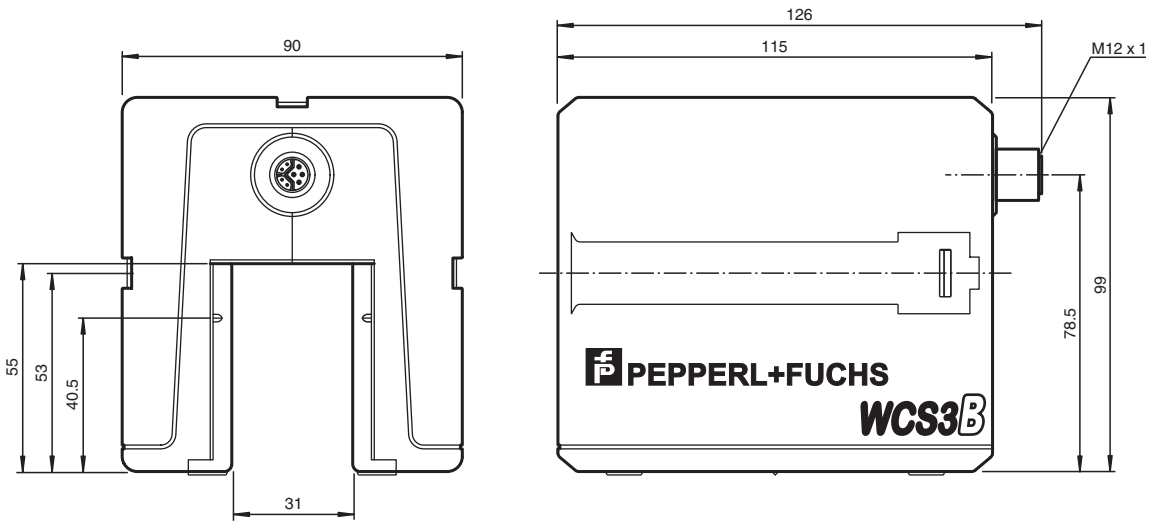
## Read head WCS3B-LS710HS

- EtherCAT interface
- Non-contact, absolute position encoder
- Automatic detection of dirt accumulation
- Speed transfer
- Extended temperature range

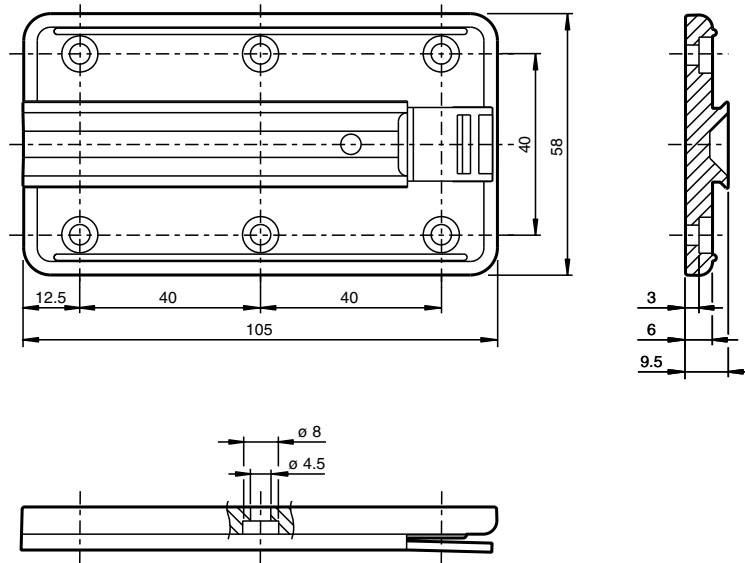
Read head with EtherCAT interface



### Dimensions



## Dimensions



## Technical Data

### General specifications

Sampling rate		1.5 ms
Passage speed	v	≤ 12.5 m/s
Measuring range		max. 314.5 m
Free tolerances to code rail		horizontal: 31 mm ( ± 15.5 mm ) vertical: 28 mm ( ± 14 mm )
Resolution		± 0.4 mm (1,250 positions/m)

### Functional safety related parameters

MTTF <sub>d</sub>		74 a
Mission Time (T <sub>M</sub> )		10 a
Diagnostic Coverage (DC)		0 %

### Indicators/operating means

LED indication		Status indication Green: code rail detected, normal function Red: system error Flashing red: no code rail detected
LED ERROR		Error status (red) see manual for coding
LED RUN		Off: init Flashing (green): pre-operational Single flash (green): safe-operational On (green): operational
LED Link/Act		Port status (green)

### Electrical specifications

Operating voltage	U <sub>B</sub>	10 ... 30 V DC
Power consumption	P <sub>0</sub>	18 W

### Interface

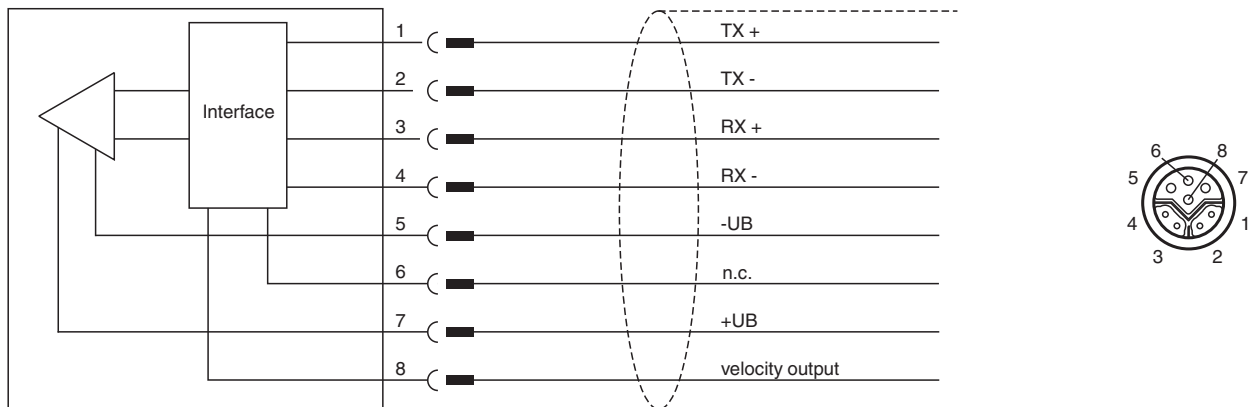
Interface type		Ethernet ; 100 BASE-TX
Data output code		binary code
Protocol		EtherCAT®
Transfer rate		100 MBit/s

### Output

## Technical Data

Output velocity	switching output short-circuit protected
Switching voltage	Operating voltage
Load current	max. 25 mA
<b>Standard conformity</b>	
Emitted interference	EN 61000-6-4:2007+A1:2011
Noise immunity	EN 61000-6-2:2005
Shock resistance	EN 60068-2-27:2009
Vibration resistance	EN 60068-2-6:2008
<b>Approvals and certificates</b>	
CSA approval	cCSAus Certified, General Purpose Class 2 power source
CCC approval	CCC approval / marking not required for products rated $\leq 36$ V
<b>Ambient conditions</b>	
Operating temperature	-40 ... 60 °C (-40 ... 140 °F)
Storage temperature	-40 ... 85 °C (-40 ... 185 °F)
<b>Mechanical specifications</b>	
Connection type	8-pin, M12 x 1 connector socket, Y-coded
Cable gland	Max. tightening torque of the cap nut: $\leq 0.4$ Nm
Degree of protection	IP54
Material	
Housing	ABS , PC (Polycarbonate)
Mass	500 g
<b>General information</b>	
Ordering information	Mounting plate included with delivery







## Connection Assignment



## Connection Assignment



## Accessories

	<b>WCS3B-PL2</b>	Transparent protective case and seal for WCS3B reader
	<b>WCS-MP1</b>	Mounting plate for reading heads WCS2 and WCS3
	<b>V45-GP</b>	Male connector RJ45 straight 4-pin, Cat5, shielded, field-attachable, insulation displacement connection, Outdoor
	<b>V15S-W-ABG-PG9</b>	Male connector M12 angled A-coded 5-pin, for cable diameter 5 - 8 mm, shielded, field-attachable
	<b>V15S-G-ABG-PG9</b>	Male connector M12 straight A-coded 5-pin, for cable diameter 5 - 8 mm, shielded, field-attachable
	<b>V19SY-Y-V1D/V1S</b>	Y-Splitter M12 plug 8-pin Y-coded to M12 socket 4-pin D-coded / M12 plug 4-pin A-coded