



Read head

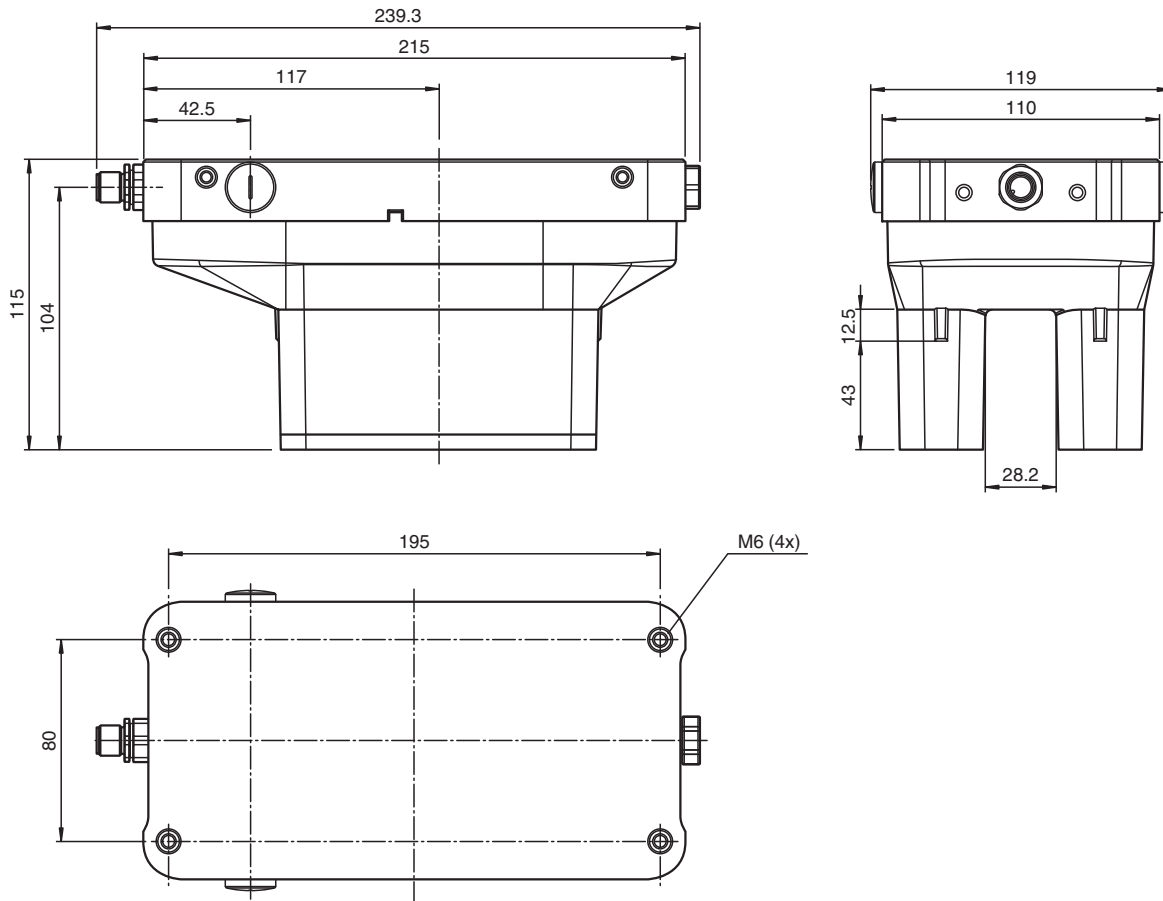
WCS3B-LS810DHS-OM

- IO-Link interface for service and process data
- Non-contact, absolute position encoder
- Automatic detection of dirt accumulation
- Integrated display module
- Extended temperature range
- For outdoor use
- Output of position and speed
- Acceleration measurement in 3 axis
- Output of the ID number for ID pads

Read head, IO-Link interface



Dimensions



Technical Data

General specifications

Passage speed	v	≤ 12.5 m/s
Measuring length		max. 314.5 m
Free tolerances to code rail		horizontal: 31 mm (± 15.5 mm) vertical: 28 mm (± 14 mm)

Release date: 2024-11-29 Date of issue: 2024-11-29 Filename: 199290-0062_eng.pdf

Technical Data

Resolution		± 0.4 mm (1,250 positions/m)
Functional safety related parameters		
MTTF _d		40 a
Mission Time (T _M)		10 a
Diagnostic Coverage (DC)		0 %
Indicators/operating means		
Operation indicator		LED green: constantly on - power on flashing - IO-Link mode
Data flow indicator		LED yellow: data communication active
Error indicator		LED red flashing: read head outside of code rail solid on: internal diagnostic test failed
Display		Display module, 6-digit , adaptable to installation position
Electrical specifications		
Operating voltage	U _B	18 ... 30 V DC
Power consumption	P ₀	12 VA
Interface		
Interface type		IO-Link
IO-Link revision		1.1
Device profile		Identification and Diagnosis - I&D Firmware update
Process data		Input: 18 Byte - Position value 32 Bit - Velocity value 16 Bit - Acceleration values 3 x 16 Bit - Ident number 16 Bit - Heartbeat 8 Bit - status data 24 Bit output: 1 Byte - control signals 8 Bit
Vendor ID		1 (0x0001)
Device ID		6291713 (0x600101)
Transfer rate		COM3 (230.4 kbits/s)
Min. cycle time		1.5 ms
SIO mode support		no
Compatible master port type		Class A
Standard conformity		
Communication interface		IEC 61131-9 / IO-Link V1.1.3
Emitted interference		DIN EN 61000-6-4 , DIN EN 12015
Noise immunity		DIN EN 61000-6-2 , DIN EN 12016
Shock resistance		DIN EN 60068-2-27, half sine 30 g, 18 ms
Vibration resistance		DIN EN 60068-2-6, sine, 5 g, 10 - 2000 Hz, 10 cycles
Approvals and certificates		
CSA approval		cCSAus Certified, General Purpose Class 2 power source
CCC approval		CCC approval / marking not required for products rated ≤36 V
Ambient conditions		
Operating temperature		-40 ... 60 °C (-40 ... 140 °F)
Storage temperature		-40 ... 85 °C (-40 ... 185 °F)
Mechanical specifications		
Connection type		5-pin, M12 x 1 connector
Degree of protection		IP67 / IP69
Material		
Housing		PET , PC (Polycarbonate)
Mass		1000 g
Note		The reader must not be operated without the protective housing!
General information		

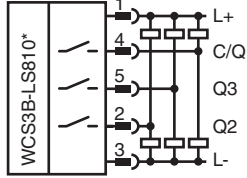
Release date: 2024-11-29 Date of issue: 2024-11-29 Filename: 199290-0062_eng.pdf

Technical Data

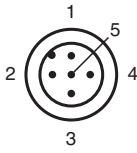
Ordering information

Mounting plate included with delivery

Connection Assignment



Connection Assignment



Wire colors in accordance with EN 60947-5-2

1	BN	(brown)
2	WH	(white)
3	BU	(blue)
4	BK	(black)
5	GY	(gray)