



# Activator

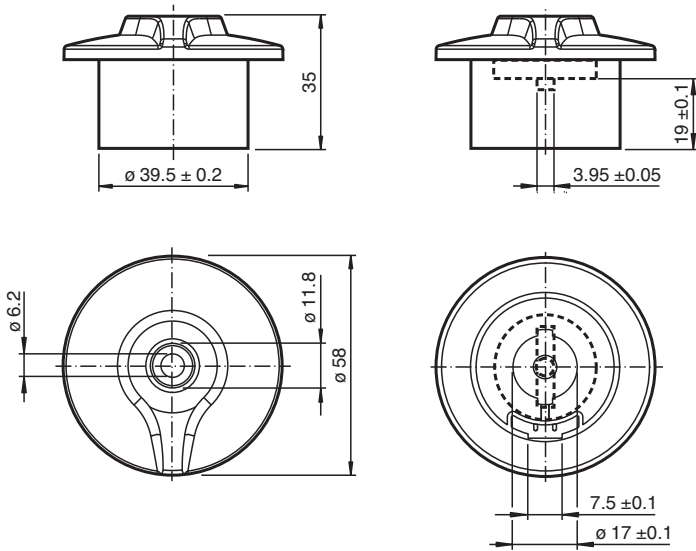
## BT-F130-A

- Suitable for mounting on valve actuators for use in valve technology

Actuator for F130 series



### Dimensions



### Technical Data

Mechanical specifications	
Shaft diameter	< 27.5 mm
Shaft height	20 mm
Material	
Housing	Mounting component: PBT
Spacer disk	PP (1 unit, 5.5 mm strong)
Stopper cap	PBT (1 unit black)
Mounting screw	for activator: 1.4305 / AISI 303 (1 piece M6 x 25)
Mass	25 g
Tightening torque, fastening screws	$\leq 1.5$ Nm

Release date: 2025-05-22 Date of issue: 2025-05-22 Filename: 199856\_eng.pdf