

AS-Interface sensor module

VBA-4E4E-G12-ZAJ



- A/B node with extended addressing possibility for up to 62 nodes
- One-piece housing with stainless steel base
- Installation without tools
- Metal threaded inserts with SPEEDCON technology
- Flat cable connection with cable piercing technique, variable flat cable guide
- Communication monitoring, configurable
- Inputs for 2-, 3-, and 4-wire sensors
- DIN rail mounting
- AS-Interface certificate
- Automatic addressing with latest masters in the event of replacement

G12 flat module, 2 x 4 inputs (PNP)



Function

The VBA-4E4E-G12-ZAJ is an AS-Interface input module with 8 inputs. The input module is equipped with 2 separate AS-Interface chips and uses 2 A/B addresses. In the delivered state, both slave addresses use the address 0. The second slave is deactivated until the first slave is addressed. Duplicate addressing is avoided in this way. 2 and 3-wire sensors can also be connected as mechanical contacts to the PNP electronic inputs.

The one-piece enclosure makes fast mounting possible completely without the use of tools as well as easy removal also without the use of tools. The stainless steel half shell and cast enclosure ensure maximum durability and a high degree of protection.

Connection to the AS-Interface line is achieved through insulation-piercing technology into the laid flat cable. Accordingly, the flat cable can be turned in two directions for the application.

Metal inserts ensure that all connections to the inputs are made with a high degree of stability. The connections to the sensors are made via an M12 x 1 round plug connector with the option with SPEEDCON technology.

The supply to the inputs and the connected sensors is fed from the internal supply of the module (from AS-Interface).

An LED, which is attached to the top of the module, is available to display the current switching state of every input.

A dual LED to indicate the particular AS-Interface voltage and the display, which has the module address 0, is available, and another dual LED

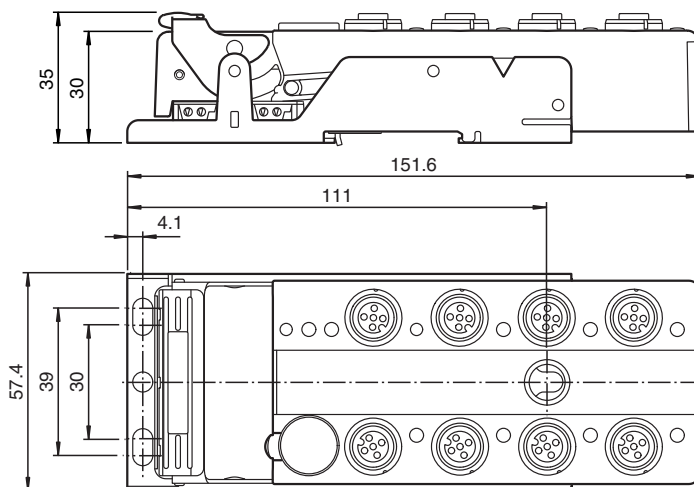
indicates errors in the relevant AS-Interface communication and peripheral errors. The input module has a dual addressing jack.

This module can be mounted in any position with three screws or snapped onto a standard DIN rail with the stainless steel bracket.

Application

For 4-wire sensors, it is only possible to use plug-in slot IN1 or IN3 for inputs 1+2 or 3+4 (jumped internally).

Dimensions



Technical Data

General specifications

Release date: 2023-03-28 Date of issue: 2023-03-28 Filename: 200524_eng.pdf

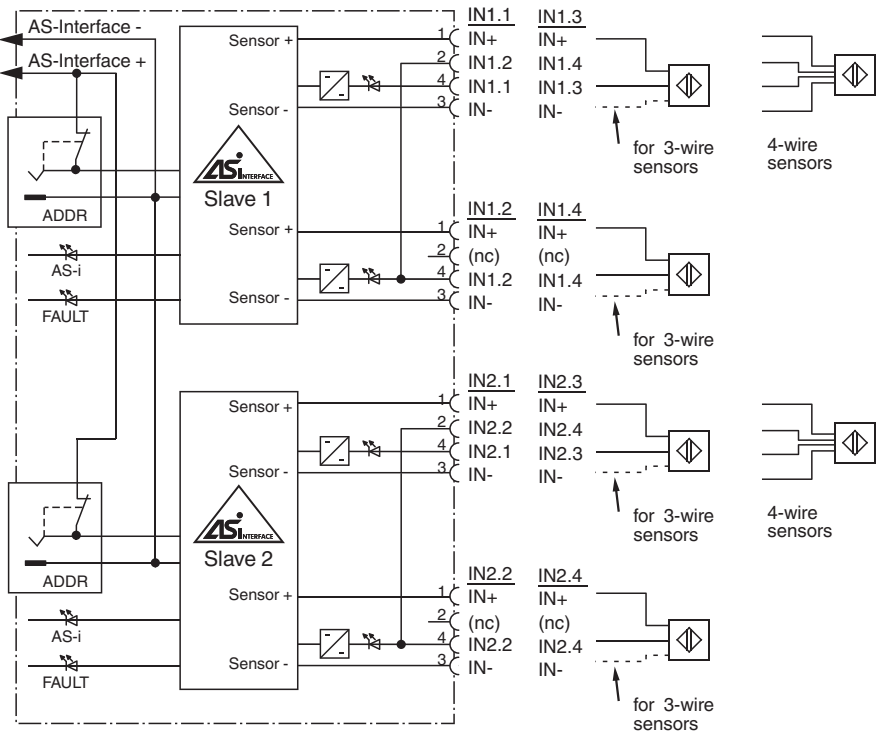
Technical Data

| | | |
|-----------------------------------|--|---|
| Node type | Double A/B node | |
| AS-Interface specification | V3.0 | |
| Required gateway specification | ≥ V2.1 | |
| Profile | S-0.A.2 | |
| IO code | 0 | |
| ID code | A | |
| ID1 code | Node 1: 1 Node 2: 2 | |
| ID2 code | 2 | |
| UL File Number | E223772 | |
| Indicators/operating means | | |
| LED PWR/FAULT | 2 Dual LEDs green/red green: AS-Interface voltage red: Communication error yellow/red flashing: Address 0 green/red flashing: Sensor supply overload | |
| LED IN | switching state (input); 8 LED yellow | |
| Electrical specifications | | |
| Rated operating voltage | U_e | 26.5 ... 31.6 V from AS-Interface |
| Rated operating current | I_e | ≤ 80 mA (without sensors) / max. 280 mA |
| Protection class | III | |
| Surge protection | U_e : Over voltage category III, safe isolated power supplies (PELV) derived from mains up to 300 V AC line-to-neutral | |
| Input | | |
| Number/Type | 2x 4 inputs for 2- or 3-wire sensors (PNP), DC alternative 2x 2 inputs for 4-wire sensors (PNP), DC | |
| Supply | from AS-Interface | |
| Voltage | 21 ... 31 V | |
| Current loading capacity | ≤ 200 mA, overload and short-circuit protected | |
| Input current | ≤ 8 mA (limited internally) | |
| Switching point | according to DIN EN 61131-2 (Type 2) | |
| 0 (unattenuated) | ≤ 2 mA | |
| 1 (attenuated) | ≥ 6 mA | |
| Signal delay | < 1 ms (input/AS-Interface) | |
| Directive conformity | | |
| Electromagnetic compatibility | EN 62026-2:2013 EN 61000-6-2:2005, EN 61000-6-4:2007 | |
| Directive 2014/30/EU | EN 62026-2:2013 EN 61000-6-2:2005, EN 61000-6-4:2007 | |
| Standard conformity | | |
| Degree of protection | EN 60529:2000 | |
| Fieldbus standard | EN 62026-2:2013 | |
| Input | EN 61131-2 | |
| Emitted interference | EN 61000-6-4:2007 | |
| AS-Interface | EN 62026-2:2013 | |
| Noise immunity | EN 61000-6-2:2005 EN 62026-2:2013 | |
| Ambient conditions | | |
| Ambient temperature | -25 ... 70 °C (-13 ... 158 °F) | |
| Storage temperature | -25 ... 85 °C (-13 ... 185 °F) | |
| Relative humidity | 85 % , noncondensing | |
| Altitude | ≤ 2000 m above MSL | |
| Shock and impact resistance | 30 g, 11 ms in 6 spatial directions 3 shocks 10 g, 16 ms in 6 spatial directions 1000 shocks | |
| Vibration resistance | 0.75 mm 10 ... 57 Hz , 5 g 57 ... 150 Hz, 20 cycles | |
| Pollution degree | 3 | |
| Mechanical specifications | | |
| Degree of protection | IP67 | |

Technical Data

| | |
|--------------------------------|---|
| Connection | cable piercing method flat cable yellow inputs: M12 round connector |
| Material | |
| Housing | PBT |
| Mass | 230 g |
| Tightening torque, cable gland | 0.4 Nm |
| Mounting | Mounting plate |

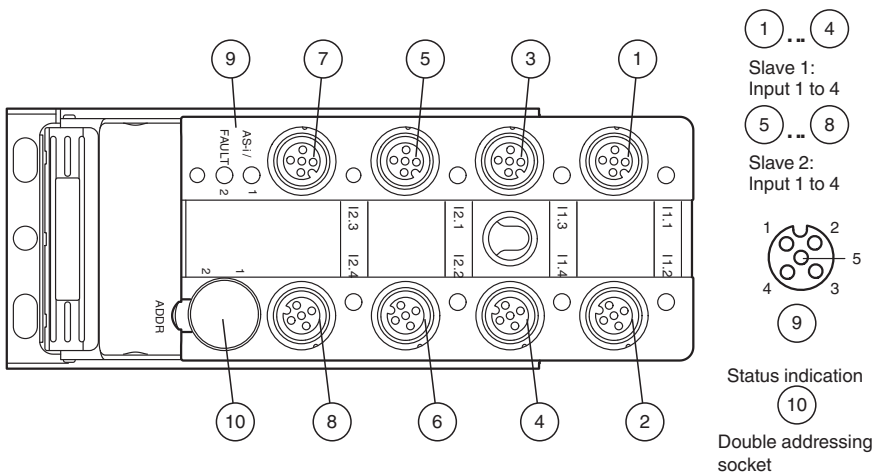
Connection



Connection

Do not connect inputs and outputs, which are supplied via the module from AS-interface or via auxiliary power, with power supply and signal circuits with external potentials.

Assembly



Release date: 2023-03-28 Date of issue: 2023-03-28 Filename: 200524_eng.pdf

Programming

Data bits

(Function via AS-Interface)





| Data bit | Input | Input | Output |
|----------|-------|-------|--------|
| D0 | IN1.1 | IN2.1 | - |
| D1 | IN1.2 | IN2.2 | - |
| D2 | IN1.3 | IN2.3 | - |
| D3 | IN1.4 | IN2.4 | - |

Parameter bit

(programmable via AS-Interface)

| Parameter bit | Function |
|---------------|--|
| P0 | not used |
| P1 | Input filter P1=0 filter on, pulse suppr. ≤ 2 ms P1=1 filter off, default setting |
| P2 | Synchronous mode P2=0 Synchronous mode on P2=1 Synchronous mode off, default setting |
| P3 | not used |

Accessories

| | | |
|---|-------------------------|---|
|  | VBP-HH1-V3.0-KIT | AS-Interface Handheld with accessory |
|  | VAZ-V1-B3 | Blind plug for M12 sockets |
|  | VAZ-PK-1,5M-V1-G | Adapter cable module/hand-held programming device |
|  | VAZ-CLIP-G12 | lock for G12 module |