



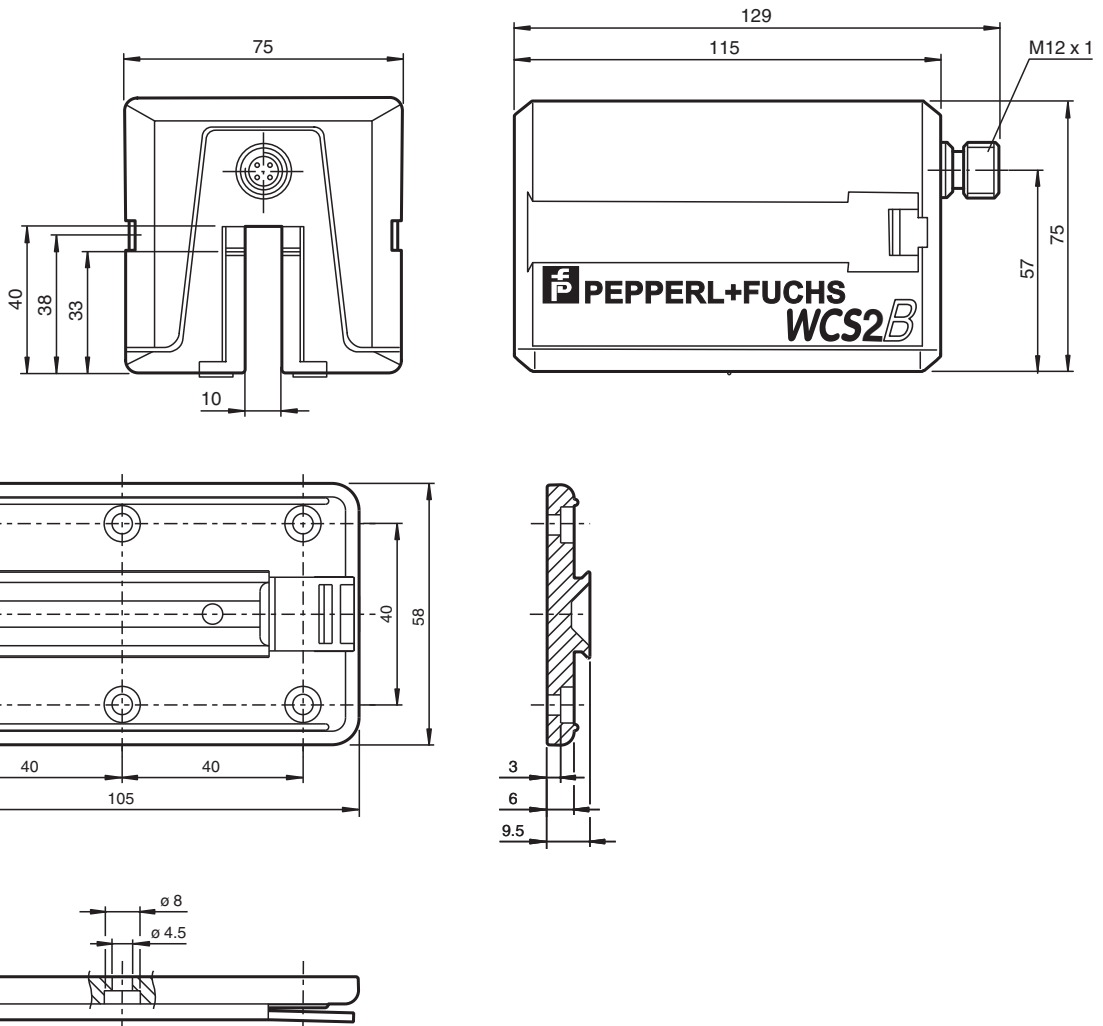
Read head WCS2B-LS121H

- RS-485 interface
- Non-contact, absolute position encoder
- Automatic detection of dirt accumulation
- Extended temperature range

Reading head, RS-485 interface, without RS-485 termination resistor



Dimensions

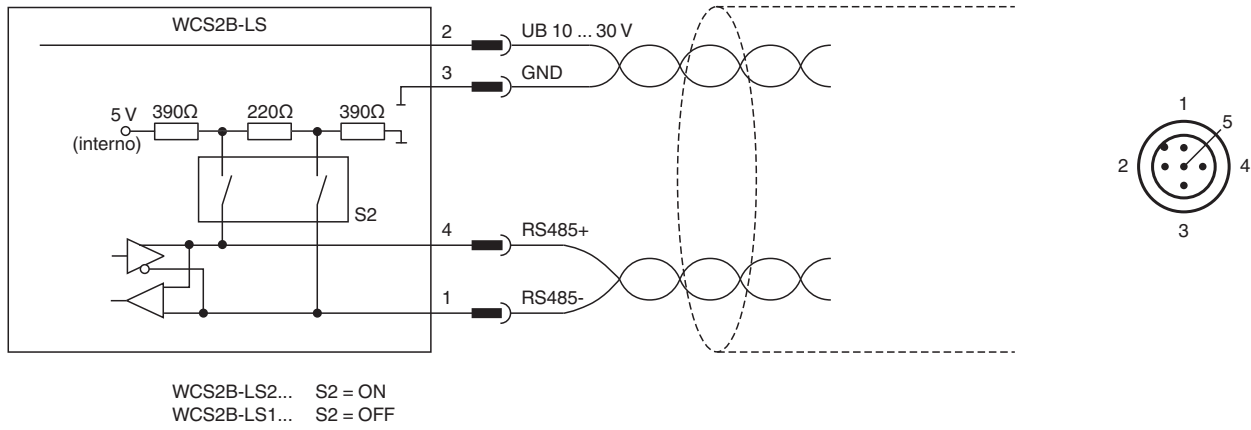


Release date: 2024-07-09 Date of issue: 2024-07-09 Filename: 200779-0004_eng.pdf

Technical Data

General specifications		
Passage speed	v	≤ 12.5 m/s
Measuring range		max. 327 m
Free tolerances to code rail		horizontal: 10 mm (± 5 mm) vertical: 10 mm (± 5 mm)
Resolution		± 0.42 mm (1,200 positions/m)
Functional safety related parameters		
MTTF _d		66 a
Mission Time (T _M)		10 a
Diagnostic Coverage (DC)		0 %
Electrical specifications		
Operating voltage	U _B	10 ... 30 V DC
Power consumption	P ₀	9 VA at 24 V DC
Interface		
Interface type		RS 485 interface
Data output code		binary code
Protocol		1 , 2
Transfer rate		62.5 kBit/s
Termination		without RS 485 termination
Standard conformity		
Emitted interference		DIN EN 61000-6-4
Noise immunity		DIN EN 61000-6-2
Shock resistance		DIN EN 60068-2-27, half sine 30 g, 18 ms
Vibration resistance		DIN EN 60068-2-6, sine, 5 g, 10 - 2000 Hz, 10 cycles
Approvals and certificates		
CSA approval		cCSAus Certified, General Purpose Class 2 power source
CCC approval		CCC approval / marking not required for products rated ≤36 V
Ambient conditions		
Operating temperature		-40 ... 60 °C (-40 ... 140 °F)
Storage temperature		-40 ... 85 °C (-40 ... 185 °F)
Relative humidity		90 % , noncondensing
Mechanical specifications		
Connection type		5-pin, M12 x 1 connector
Degree of protection		IP54
Material		
Housing		ABS , Polycarbonate , Polyamide (PA)
Mass		500 g
General information		
Ordering information		Mounting plate included with delivery

Connection



Release date: 2024-07-09 Date of issue: 2024-07-09 Filename: 200779-0004_eng.pdf