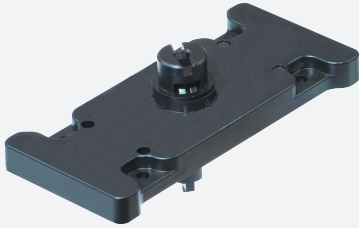


Mounting plate

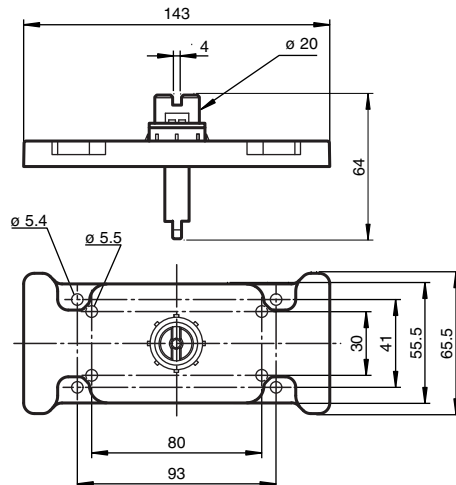
MH-F31/F31K



- Hole pattern 30 x 80 mm
- Mounting plate with shaft

Mounting plate

Dimensions



Technical Data

Mechanical specifications

Material	PA 12
Mounting screw	cylinder head screws Mounting plate DIN 912 with hexagon socket

General information

Scope of delivery	Mounting plate MH-BT65 Mounting plate fixing screw 4 x cylinder head screw DIN 912, M5X12, stainless steel with hexagon socket 4 x serrated lock washer DIN 6797, shape J Fixing screw for sensor F31 2 x cylinder head screw DIN 912, M5X16, stainless steel with hexagon socket Fixing screw for sensor F31K 2 x cylinder head screw DIN 912, M5X20, stainless steel with hexagon socket
-------------------	-----------------------------------------------------------------------------------------------------------------------------------------------------------------------------------------------------------------------------------------------------------------------------------------------------------------------------------------------------------------------------------------------------------------

Release date: 2021-01-13 Date of issue: 2021-01-13 Filename: 200855_eng.pdf