

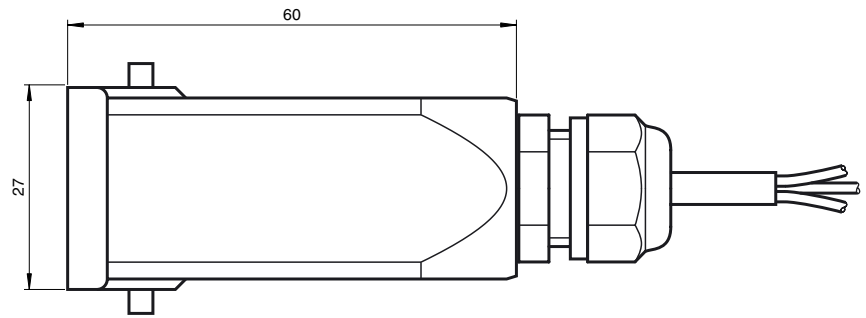


Model Number

V8HAN-G-10M-PVC-ABG

Female cordset, Harting, 8-pin, shielded, PVC cable

Dimensions



Technical data

General specifications

Number of pins	8
----------------	---

Electrical specifications

Rated operating voltage	U_e	230/400 V
Operating voltage	U_B	50 V
Operating current	I_B	10 A
Volume resistance		< 3 m Ω

Ambient conditions

Ambient temperature	-40 ... 80 °C (-40 ... 176 °F) (fixed cable)
Pollution Degree	3

Mechanical specifications

Pin diameter	1 mm
Degree of protection	IP65
Connection	8 jacks, Harting 8 D , size 3A

Material

Contacts	Cu alloy
Contact surface	Au
Body	aluminum and polycarbonate
Cable	PVC

Cable

Sheath diameter	$\varnothing 8.7$ mm
Bending radius	> 10 x cable diameter, moving
Color	grey
Cores	8 x 0.5 mm ²
Shield	grid
Length	L 10 m

Flammability

Housing	94 V-0
---------	--------

Compliance with standards and directives

Standard conformity	
Degree of protection	EN 60529

Electrical connection

