



# SMART Transmitter Power Supply

## KFD2-STC5-Ex2

- 2-channel isolated barrier
- 24 V DC supply (Power Rail)
- Input 2-wire and 3-wire SMART transmitters and 2-wire SMART current sources
- Output 4 mA ... 20 mA current sink/current source
- Terminals with test points
- Up to SIL 2 (SC 3) acc. to IEC/EN 61508



### Function

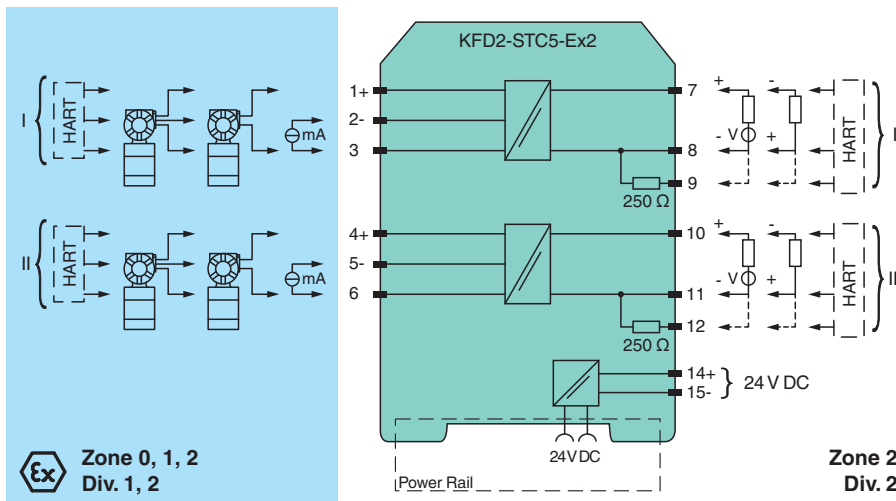
This isolated barrier is used for intrinsic safety applications. The device supplies 2-wire and 3-wire SMART transmitters, and can also be used with 2-wire SMART current sources. It transfers the analog input signal to the safe area as an isolated current value. Digital signals may be superimposed on the input signal in the hazardous or non-hazardous area and are transferred bi-directionally. The device provides a sink mode or a source mode output on the safe area terminals. The device has an internal resistor. Use this resistor if the HART communication resistance in the control circuit is too low. Test sockets for the connection of HART communicators are integrated into the terminals of the device.

### Application

The device supports the following SMART protocols:

- HART
- BRAIN
- Foxboro

### Connection



### Technical Data

General specifications	
Signal type	Analog input
Functional safety related parameters	
Safety Integrity Level (SIL)	SIL 2
Systematic capability (SC)	SC 3

Release date: 2023-06-05 Date of issue: 2023-06-05 Filename: 203645\_eng.pdf

## Technical Data

Supply		
Connection		Power Rail or terminals 14+, 15-
Rated voltage	$U_r$	18 ... 30 V DC
Ripple		within the supply tolerance
Power dissipation		≤ 1.4 W at maximum load
Power consumption		≤ 2.6 W at maximum load
Input		
Connection side		field side
Connection		terminals 1+, 2-, 3; 4+, 5-, 6
Input signal		4 ... 20 mA
Open circuit voltage/short-circuit current		terminals 1+, 3; 4+, 6: 23 V / 25 mA
Input resistance		max. 265 Ω terminals 2-, 3; 5-, 6, max. 330 Ω terminals 1+, 3; 4+, 6
Available voltage		≥ 16 V at 20 mA ; ≥ 20 V at 4 mA, terminals 1+, 3; 4+, 6
Output		
Connection side		control side
Connection		terminals 7+, 8-, 9-; 10+, 11-, 12- (sink) terminals 7-, 8+, 9+; 10-, 11+, 12+ (source) see additional information
Load		0 ... 600 Ω
Output signal		4 ... 20 mA (overload > 25 mA)
Ripple		max. 50 μA <sub>rms</sub>
External supply (loop)		2 ... 30 V DC If the external voltage is > 19 V, a load ≥ ((V - 19) / 0.02) Ω is required. V represents the value of the external voltage. The internal 250 Ω resistor at terminals 9 and 12 can be used as a load.
Transfer characteristics		
Deviation		at 20 °C (68 °F), 4 ... 20 mA ≤ 10 μA incl. calibration, linearity, hysteresis, loads and fluctuations of supply voltage
Influence of ambient temperature		≤ 0.25 μA/K
Frequency range		field side into the control side: band width with 1 V <sub>pp</sub> signal 0 ... 7.5 kHz (-3 dB) safe area to hazardous area: band width with 1 V <sub>SS</sub> signal 0.3 ... 7.5 kHz (-3 dB)
Settling time		200 μs
Rise time/fall time		100 μs
Galvanic isolation		
Output/power supply		functional insulation, rated insulation voltage 50 V AC
Output/Output		functional insulation, rated insulation voltage 50 V AC
Indicators/settings		
Display elements		LED
Labeling		space for labeling at the front
Directive conformity		
Electromagnetic compatibility		
Directive 2014/30/EU		EN 61326-1:2013 (industrial locations)
Conformity		
Electromagnetic compatibility		NE 21:2012 EN 61326-3-2:2008
Degree of protection		IEC 60529:2001
Protection against electrical shock		UL 61010-1:2012
Ambient conditions		
Ambient temperature		-20 ... 60 °C (-4 ... 140 °F) extended ambient temperature range up to 70 °C (158 °F), refer to manual for necessary mounting conditions
Mechanical specifications		
Degree of protection		IP20
Connection		screw terminals
Mass		approx. 200 g
Dimensions		20 x 124 x 115 mm (0.8 x 4.9 x 4.5 inch) (W x H x D), housing type B2
Mounting		on 35 mm DIN mounting rail acc. to EN 60715:2001

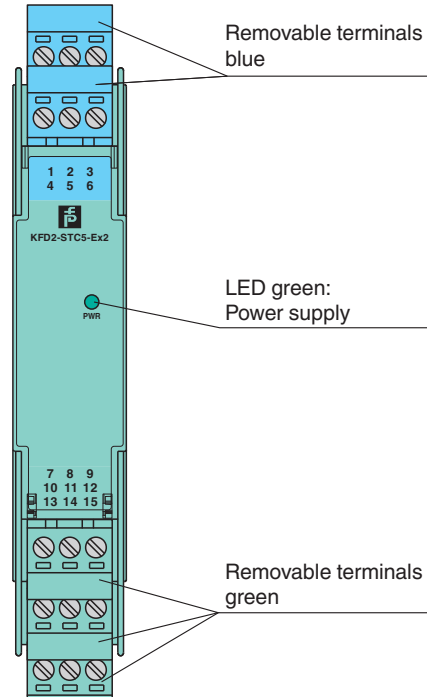
Release date: 2023-06-05 Date of issue: 2023-06-05 Filename: 203645\_eng.pdf

## Technical Data


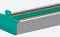
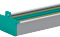
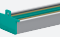


Data for application in connection with hazardous areas		
EU-type examination certificate		CML 17 ATEX 2031X
Marking		Ⓜ II (1)G [Ex ia Ga] IIC Ⓜ II (1)D [Ex ia Da] IIIC Ⓜ I (M1) [Ex ia Ma] I
Input		[Ex ia Ga] IIC, [Ex ia Da] IIIC, [Ex ia Ma] I
Supply		
Maximum safe voltage	$U_m$	250 V (Attention! The rated voltage can be lower.)
Equipment		terminals 1+, 3-; 4+, 6-
Voltage	$U_o$	26.2 V
Voltage	$U_q$	27.25 V
Current	$I_o$	93 mA
Power	$P_o$	634 mW
Equipment		terminals 2-, 3+; 5-, 6+
Voltage	$U_i$	30 V
Current	$I_i$	115 mA
Power	$P_i$	max 1 W
Voltage	$U_o$	2 V
Current	$I_o$	8.5 mA
Power	$P_o$	4.3 mW
Equipment		terminals 1+, 2/3-; 4+, 5/6-
Voltage	$U_o$	26.2 V
Voltage	$U_q$	27.25 V
Current	$I_o$	115 mA
Power	$P_o$	784 mW
Certificate		CML 17 ATEX 3030X
Marking		Ⓜ II 3G Ex ec IIC T4 Gc
Galvanic isolation		
Input/Output		safe electrical isolation acc. to IEC/EN 60079-11:2007, voltage peak value 375 V
Input/power supply		safe electrical isolation acc. to IEC/EN 60079-11:2007, voltage peak value 375 V
Directive conformity		
Directive 2014/34/EU		EN IEC 60079-0:2018+AC:2020 , EN 60079-7:2015+A1:2018 , EN 60079-11:2012
International approvals		
UL approval		E106378
Control drawing		116-0439 (cULus)
IECEx approval		
IECEx certificate		IECEx CML 17.0016X
IECEx marking		[Ex ia Ga] IIC , [Ex ia Da] IIIC , [Ex ia Ma] I Ex ec IIC T4 Gc
General information		
Supplementary information		Observe the certificates, declarations of conformity, instruction manuals, and manuals where applicable. For information see <a href="http://www.pepperl-fuchs.com">www.pepperl-fuchs.com</a> .

## Assembly





Front view



## Matching System Components

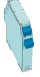

	<b>KFD2-EB2</b>	Power Feed Module
	<b>UPR-03</b>	Universal Power Rail with end caps and cover, 3 conductors, length: 2 m
	<b>UPR-03-M</b>	Universal Power Rail with end caps and cover, 3 conductors, length: 1,6 m
	<b>UPR-03-S</b>	Universal Power Rail with end caps and cover, 3 conductors, length: 0.8 m
	<b>K-DUCT-BU</b>	Profile rail, wiring comb field side, blue
	<b>K-DUCT-BU-UPR-03</b>	Profile rail with UPR-03- * insert, 3 conductors, wiring comb field side, blue

## Accessories

	<b>K-250R</b>	Measuring resistor
	<b>K-500R0%1</b>	Measuring resistor
	<b>KF-ST-5GN</b>	Terminal block for KF modules, 3-pin screw terminal, green
	<b>KF-STP-5GN</b>	Terminal block for KF modules, 3-pin screw terminal, with test sockets, green

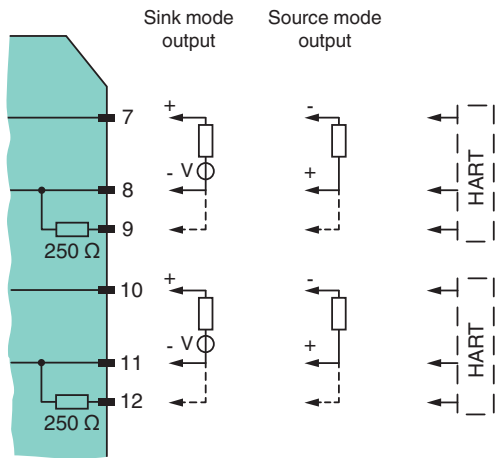
Release date: 2023-06-05 Date of issue: 2023-06-05 Filename: 203645\_eng.pdf

**Accessories**

	<b>KF-STP-5BU</b>	Terminal block for KF modules, 3-pin screw terminal, with test sockets, blue
	<b>KF-CP</b>	Red coding pins, packaging unit: 20 x 6

**Connection**

The device provides 2 outputs on the control side terminals. These outputs can be operated in any combination of the current sink operating mode and current source operating mode. Please refer to the following diagram for connection.



Release date: 2023-06-05 Date of issue: 2023-06-05 Filename: 203645\_eng.pdf