

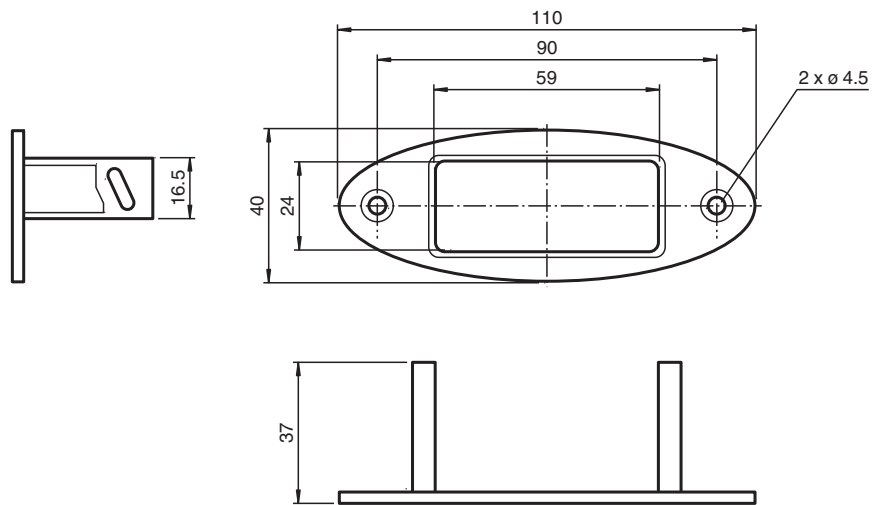
# Mounting aid DGE Flush Mounting AIR20



■ Simple mounting

Flush-mounted frame for sensors in the AIR20

## Dimensions



## Technical Data

### General specifications

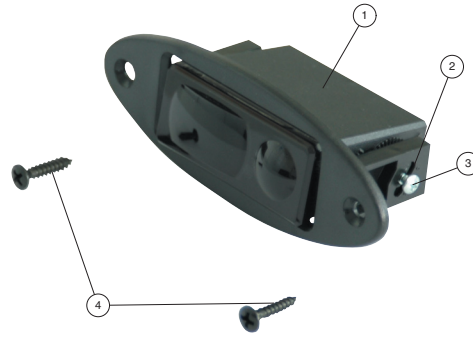
Setting angle 0 ... 15 °

### Mechanical specifications

Material black ABS  
Mass approx. 8 g

**Technical Data**

Dimensions	110 mm x 40 mm x 37 mm
Mounting	Mounting accessories included
<b>Suitable series</b>	
Series	AIR20 , PIR20

**Flush mounting**

1. Insert the sensor into the brackets
2. Adjust the inclination angle between 0° und 15°
3. Use the provided screws (2.9 mm x 6.5 mm) for fixing the sensor
4. Integrate the mounted sensor into the hole with dimensions **77 mm x 29 mm** and fixing with provided screws