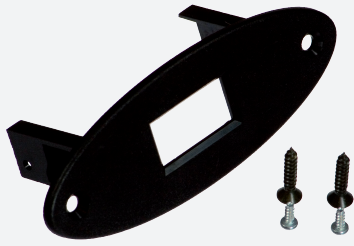


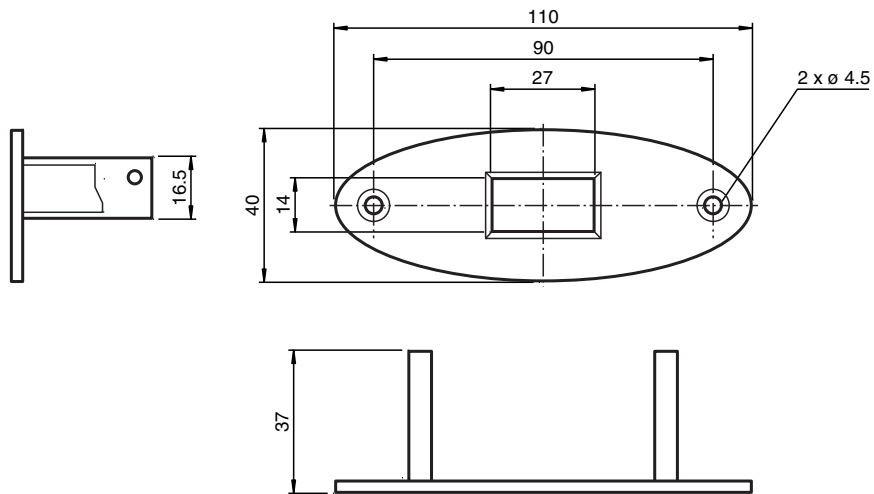
Mounting aid DGE Flush Mounting PIR20



■ Simple mounting

Flush-mounted frame for sensors in the PIR20

Dimensions



Technical Data

General specifications

Setting angle 0°

Mechanical specifications

Material black ABS

Mass approx. 11 g

Technical Data

Dimensions	110 mm x 40 mm x 37 mm
Mounting	Mounting accessories included
Suitable series	
Series	PIR20

Flush mounting



1. Insert the sensor into the brackets.
2. Use the provided screws (2.9 mm x 6.5 mm) for fixing the sensor.
3. Integrate the mounted sensor into the hole with dimensions **77 mm x 29 mm** and fixing with provided screws.