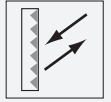


Reflector

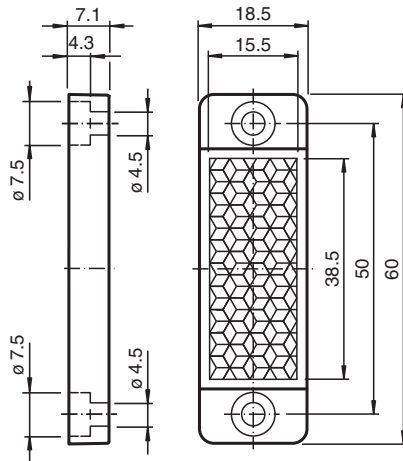
REF-H18x40HT



- Mounting holes for simple installation
- High temperature rated to 120 °C (248 °F)

Reflector, rectangular 18.5 mm x 60 mm, mounting holes, high temperature applications

Dimensions

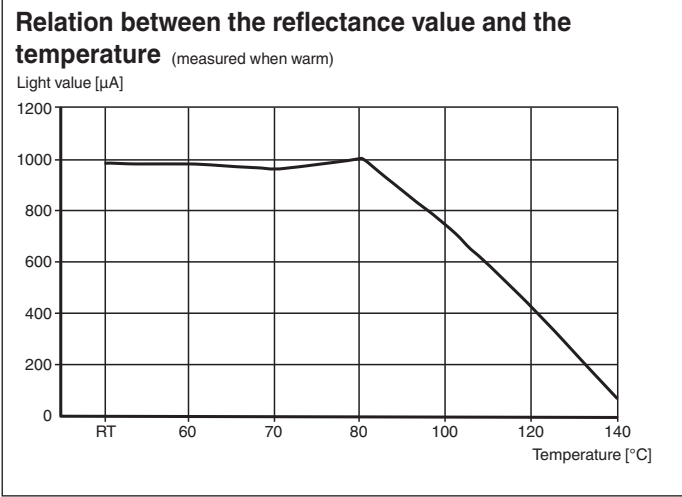


Technical Data

General specifications	
Construction type	rectangular
Ambient conditions	
Ambient temperature	-20 ... 120 °C (-4 ... 248 °F) ; briefly (< 2 min) up to 160 °C (320 °F)
Mechanical specifications	
Material	PMMA
Dimensions	18.5 mm x 60 mm x 7.1 mm
Mounting	mounting holes

Release date: 2020-03-23 Date of issue: 2020-06-29 Filename: 204132_eng.pdf

Characteristic Curve



Release date: 2020-03-23 Date of issue: 2020-06-29 Filename: 204132_eng.pdf