



Stack light LED flashing light element VAZ-FLASH-70MM-RD

- Modular design
- Flexible combination of signal elements
- Bayonet system for simple mounting and dismounting
- Long lifetime
- 70-mm-series

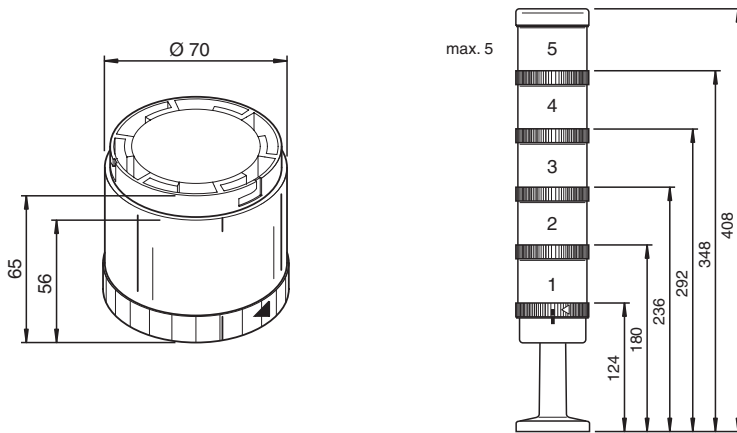
Stack light LED flashing light element, red



Function

The LED flashing light element converts electrical signals to optical signals. The light element is available in various colours and the bayonet type connector allows easy installation on the corresponding terminal. The modular design permits user-defined combinations and reduces operation costs and storage costs. The illuminant based on LED technology is integrated in the spherical cap and features an excellent illumination, good resistance against shock and vibration as well as a long service life, which also means good MTBF figures (Mean Time Between Failures).

Dimensions



Technical Data

General specifications

UL File Number	E223176
Color	red
Frequency	approx. 1 Hz

Functional safety related parameters

MTTF _d	700 a
-------------------	-------

Electrical specifications

Rated operating voltage	U _e	24 V DC
Rated operating current	I _e	35 mA
Protection class	III	



Directive conformity

Electromagnetic compatibility

Technical Data

Directive 2014/30/EU	EN 60947-5-1 EN 60947-1
Standard conformity	
Degree of protection	EN 60529
Ambient conditions	
Ambient temperature	-20 ... 50 °C (-4 ... 122 °F)
Mechanical specifications	
Degree of protection	IP65
Connection	Bayonet system
Life span	Max. 50000 hours = 5.7 years (continuous operation)

Matching System Components

	VAZ-CLAMP-70MM-90°	Stack light terminal base with cover plate
	VAZ-70MM-IO	Signal tower connection element IO-Link with cover