

# Mounting aid Safety

## TR 14/30/50/60

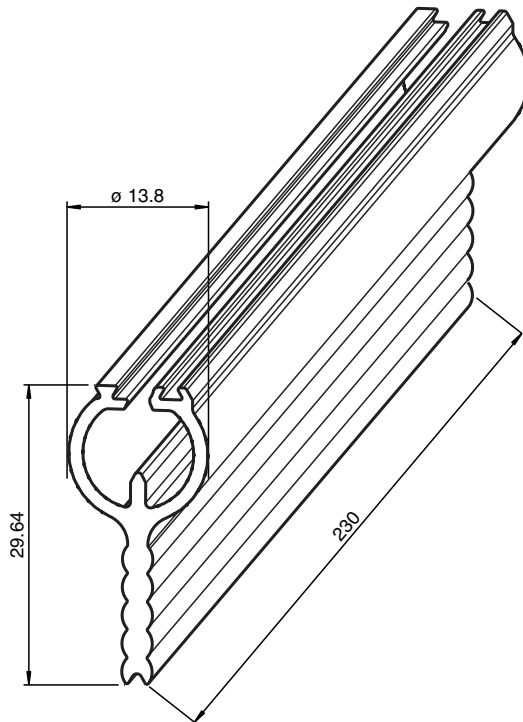


- Universal test rod for device test of all light curtains from the SLCT and SLCS series

Test rod for safety light curtain SLCT



### Dimensions



### Technical Data

#### Mechanical specifications

Material	Aluminum
Mass	approx. 105 g

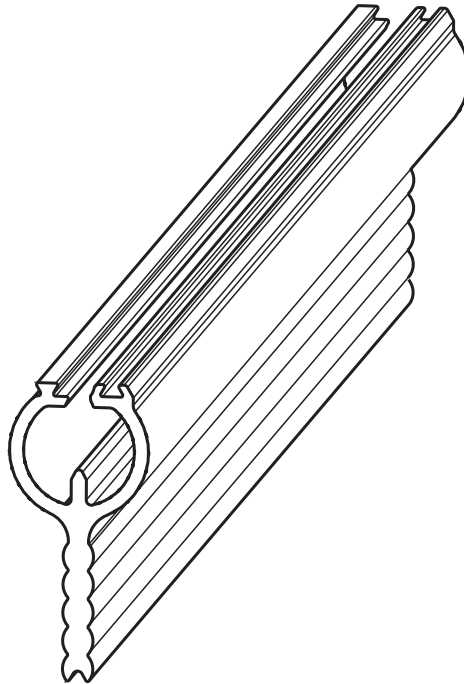
Release date: 2020-03-23 Date of issue: 2020-10-06 Filename: 205992\_eng.pdf

**Technical Data**

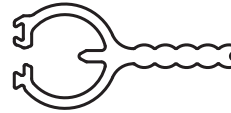
**Suitable series**

Safety Series	SLCT SLCS
---------------	--------------

**Assembly**



Prüfstab  
Test rod  
Barra de prueba  
Provino a sbarretta  
14 mm



Prüfstab  
Test rod  
Barra de prueba  
Provino a sbarretta  
30 mm



Prüfstab  
Test rod  
Barra de prueba  
Provino a sbarretta  
50 mm



Prüfstab  
Test rod  
Barra de prueba  
Provino a sbarretta  
60 mm

