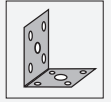




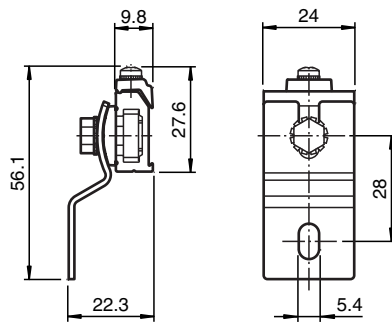
Mounting aid OMH-SLCT-04

- Mounting bracket
- Simple and fast mounting



Mounting bracket including adjustment (with loose bearing)

Dimensions



Technical Data

General specifications

Setting angle	$\pm 7^\circ$
---------------	---------------

Mechanical specifications

Material	Aluminum
Mass	approx. 34 g

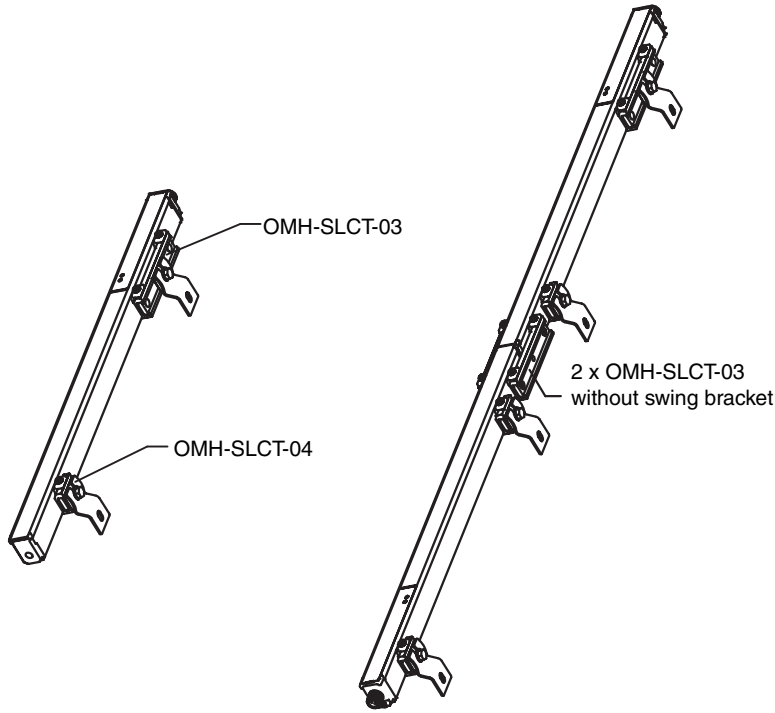
General information

Scope of delivery	Mounting bracket ; 1 Slotted plate ; 4 T-slides ; Screw kit ; Screwdriver
-------------------	---

Suitable series

Safety Series	SLCT SLCS
---------------	--------------

Mounting



Release date: 2020-11-09 Date of issue: 2020-11-09 Filename: 205993_eng.pdf

Mounting

Each package comes with a slotted plate.

To prevent the t-slides from clipping into the upper hole, cover the hole with the slotted plate.

Then slide the t-slides into the guide.

