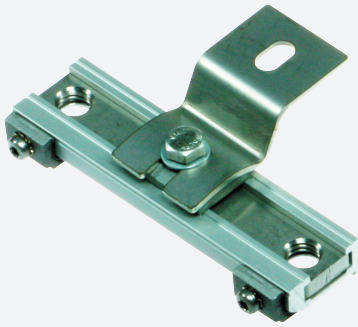


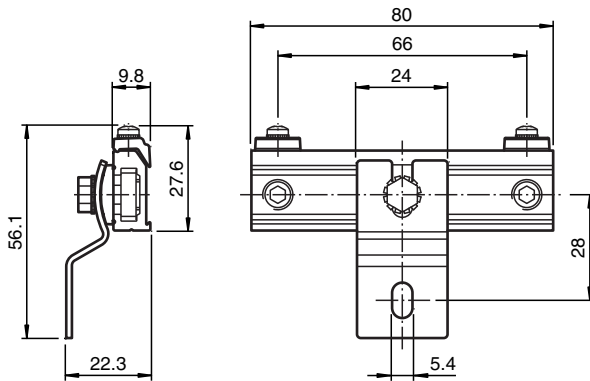
# Mounting aid OMH-SLCT-03



- Mounting bracket
- Simple and fast mounting

Mounting bracket including adjustment

## Dimensions



## Technical Data

### General specifications

Setting angle	$\pm 7^\circ$
---------------	---------------

### Mechanical specifications

Material	Aluminum
Mass	approx. 70 g

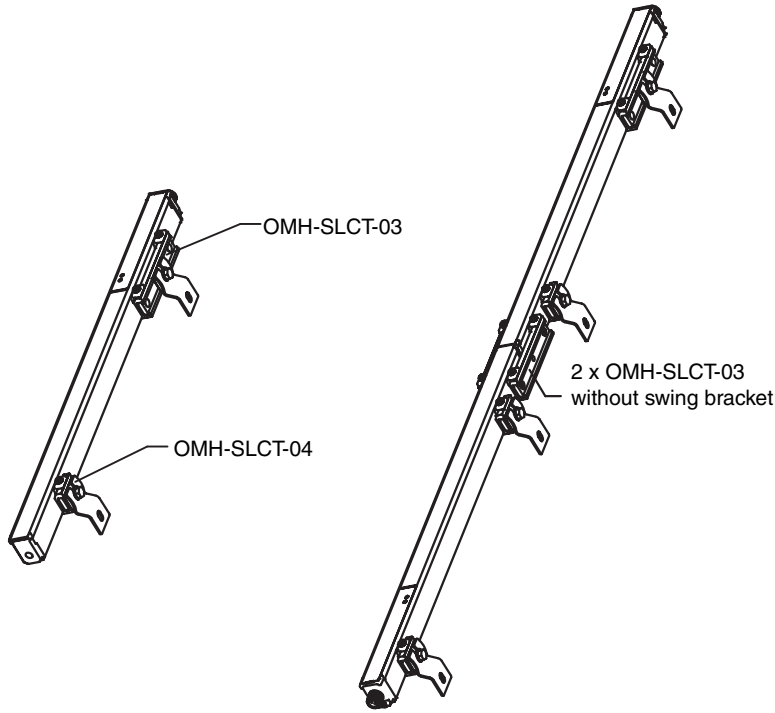
### General information

Scope of delivery	Mounting bracket ; 1 Slotted plate ; 4 T-slides ; Screw kit ; Screwdriver
-------------------	---

### Suitable series

Safety Series	SLCT SLCS
---------------	--------------

Mounting



Release date: 2020-11-09 Date of issue: 2020-11-09 Filename: 205994\_eng.pdf

## Mounting

Each package comes with a slotted plate.

To prevent the t-slides from clipping into the upper hole, cover the hole with the slotted plate.

Then slide the t-slides into the guide.

