

Connector box for barcode scanner

CBX100



- Connect up to 32 scanners to a network with ID-Net™
- Option of upgrading with memory module
- Easy scanner connection by means of clamp terminals
- Degree of protection IP65

Connector box for barcode scanner



Function

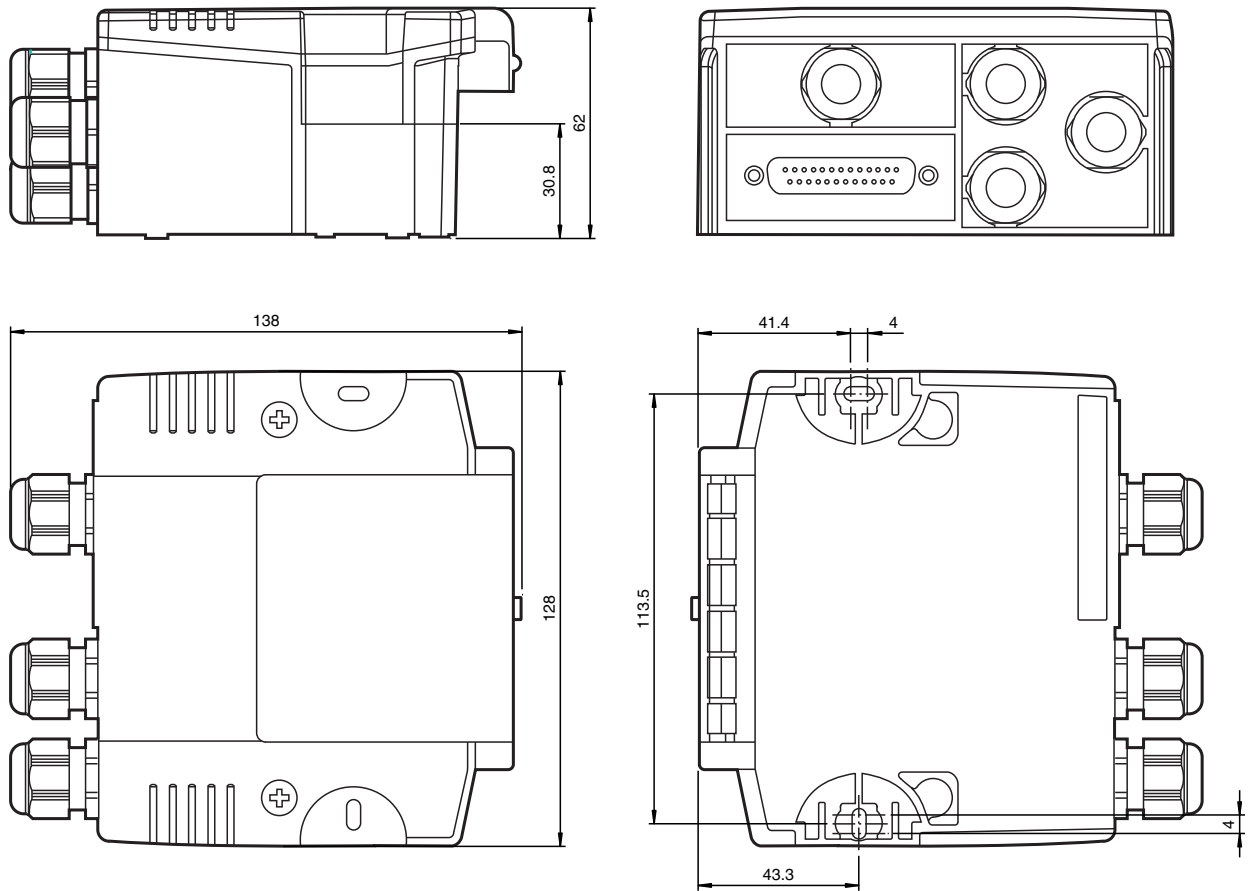
Devices from the CBX* series enable barcode scanners to be connected quickly and easily. A wide variety of connections also allows other field devices to be connected.

By reducing installation time and the number of system failures when a device is replaced, your operating costs will be significantly lower.

Standardized pinning of connections and simple attachment of cable ends using spring terminals ensures easy cable installation. The configuration of the connected scanner can be saved in backup modules and restored at a later date.

To facilitate installation of the device, the continuous mounting holes are easy to access and the top section of the housing can be removed. Note: Avoid mechanical stress, such as screwing the housing cover together, in deep-freeze areas.

Dimensions



Technical Data

Indicators/operating means

Display elements	5 LEDs (POWER, TRIGGER, IN 2, OUT 1, OUT 2)
------------------	---

Electrical specifications

Operating voltage	U_B	10 ... 30 V DC
Current consumption		max. 2.5 A
Power consumption	P_0	max. 3 W

Compliance with standards and directives

Directive conformity	89/336 EWG
Standard conformity	
Product standard	EN 60947-5-2:2007 IEC 60947-5-2:2007
Noise immunity	EN 61000-6-2
Degree of protection	EN 60529

Ambient conditions

Ambient temperature	-35 ... 50 °C (-31 ... 122 °F) Mount, connect, and configure only between 0° ... 50°
Storage temperature	-20 ... 70 °C (-4 ... 158 °F)
Relative humidity	90 % , noncondensing
Shock resistance	EN 60068-2-27 30G 11 ms ; 3 impacts on each axis
Vibration resistance	EN 60068-2-6 1.5 mm 10 ... 55 Hz ; 2 hours on each axis

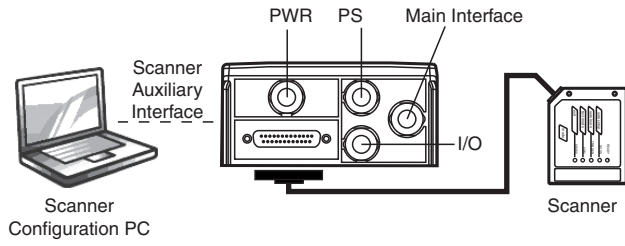
Mechanical specifications

Degree of protection	IP65
Connection	25-pin Sub-D socket for Barcode scanner , M16 cable gland for system connection (4x)

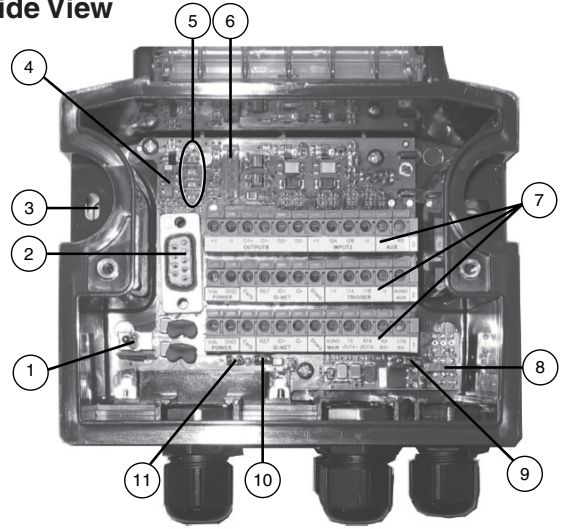
Technical Data

Material	
Housing	PC (Polycarbonate)
Mass	380 g

Connection



Inside View



- ① Power Switch (on/off)
- ② Serial Interface (SUB-D, 9-pin)
- ③ Mounting Holes (2x)
- ④ ID-NET Terminator Switch
- ⑤ LEDs
- ⑥ Backup Module connector
- ⑦ Terminal Block
- ⑧ RS485 Terminator Switch
- ⑨ External Power Source (on/off)
- ⑩ Adjustment of Shield to Protection Earth via Jumper
- ⑪ Adjustment of Chassis Grounding via Jumper

Release date: 2022-11-22 Date of issue: 2022-11-22 Filename: 207507_eng.pdf