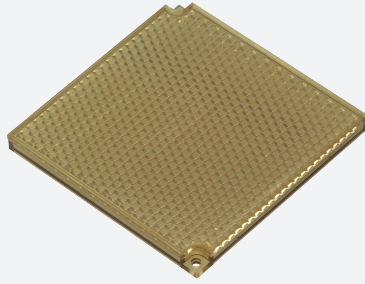
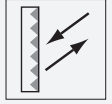


Reflector

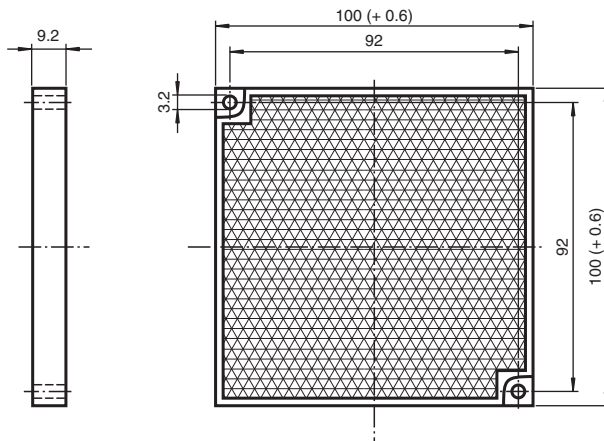
REF-H100F



- Mounting holes for simple installation
- Chemical-resistant
- tested by TÜV

Reflector, rectangular 100 mm x 100 mm, mounting holes

Dimensions



Technical Data

General specifications	
Construction type	rectangular
Ambient conditions	
Ambient temperature	-30 ... 50 °C (-22 ... 122 °F)
Mechanical specifications	
Degree of protection	IP69K
Material	SC
Dimensions	100 mm x 100 mm x 9.2 mm
Mounting	mounting holes

Release date: 2023-10-19 Date of issue: 2023-10-19 Filename: 207569_eng.pdf