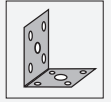




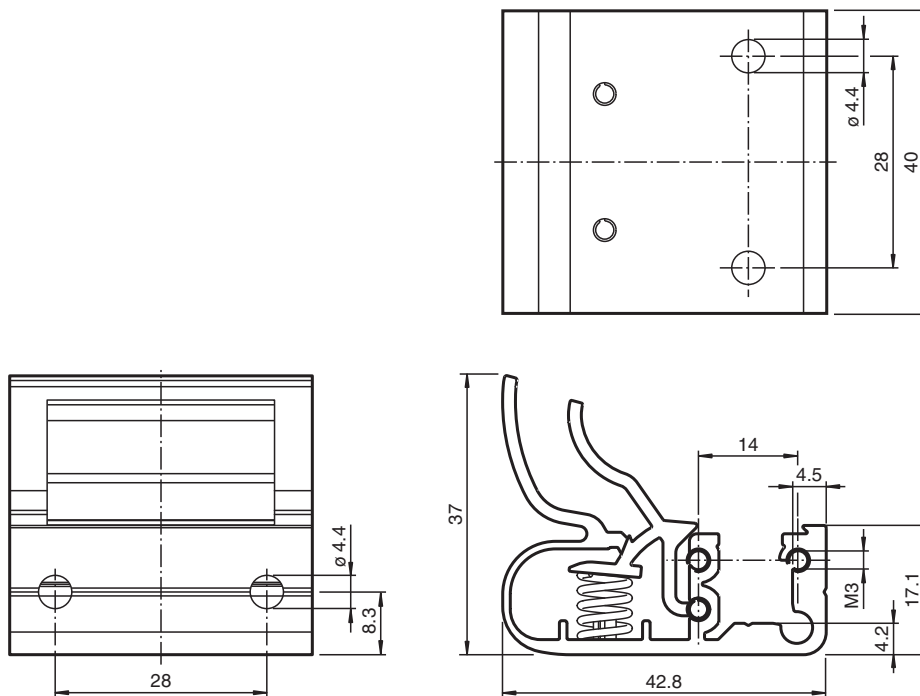
## Mounting aid OMH-SLCT-01

- Mounting bracket
- Simple and fast mounting



Quick clamp and adjustment system

### Dimensions



### Technical Data

#### Mechanical specifications

Material	Aluminum
Mass	approx. 36 g

#### General information

Scope of delivery	Mounting bracket ; 1 Slotted plate ; 4 T-slides ; Screw kit
-------------------	---

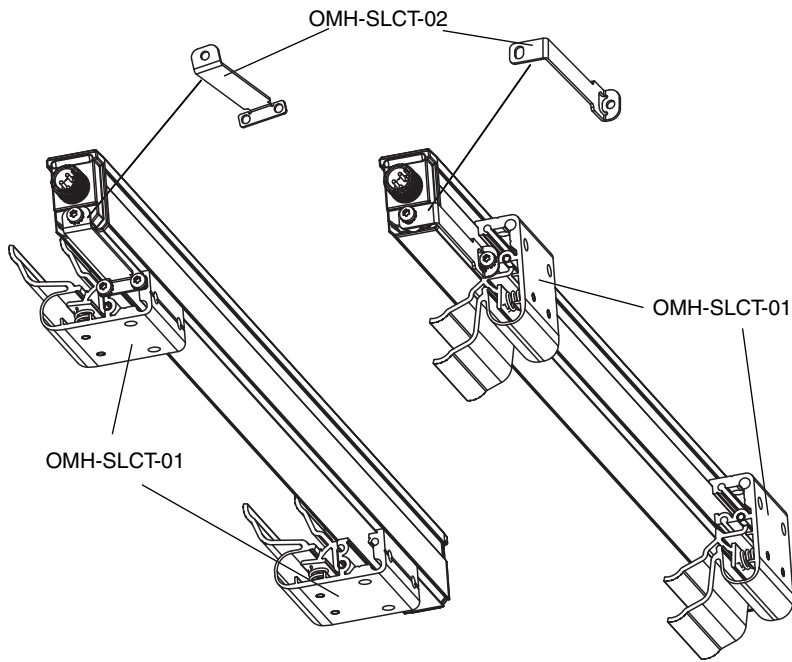
**Technical Data****Suitable series**

Safety Series

SLCT  
SLCS

**Mounting note**

Rear view and lateral mounting.



**Mounting**

Each package comes with a slotted plate.  
 To prevent the t-slides from clipping into the upper hole, cover the hole with the slotted plate.  
 Then slide the t-slides into the guide.

