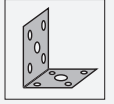


Mounting aid OMH-VDM100-01

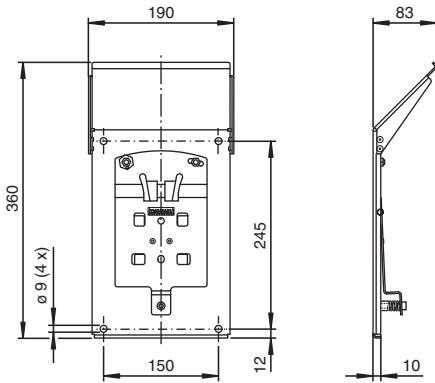


- Mounting bracket
- Fixing with latching spring or latch fastener for easy installation

Mounting bracket with deviation mirror for distance measurement devices



Dimensions



Technical Data

Nominal ratings		
Repeat accuracy	R	The repeating accuracy of the device used does not change.
Measurement accuracy		
Accuracy		± 1 mm (This fault is added to the fault in the device used)
Mechanical specifications		
Material		high-grade steel, Deviation mirror: glass
Mass		approx. 1650 g
Suitable series		
Series		VDM100

Release date: 2024-10-22 Date of issue: 2024-10-22 Filename: 208856_eng.pdf