

Female connector, field-attachable

V1-G-ABG-PG9

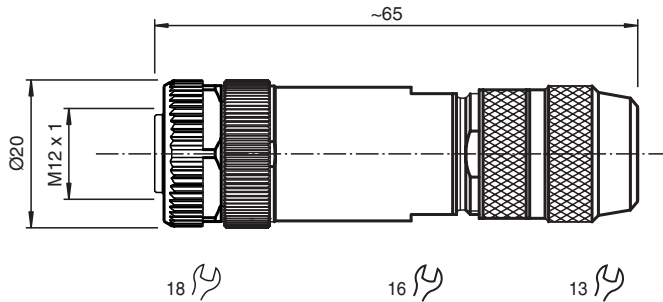


- Field-attachable, shieldable
- Metal housing
- Iris spring shielding
- Cable socket for read/write heads with M12 plug connections
- cURus approval

Female connector M12 straight A-coded 4-pin, for cable diameter 5 - 8 mm, shielded, field-attachable



Dimensions



Technical Data

General specifications

Connector 1	
Connection	socket
Construction type	M12
Style	straight
Locking	screw connection
Number of pins	4
Coding	A-coded

Electrical specifications

Operating voltage	U_B	max. 250 V AC/DC
Operating current	I_B	4 A
Insulation resistance		min. 100 M Ω

Conformity

Degree of protection	EN 60529
Plug connection	connector M12 x 1 : IEC 61076-2-101

Approvals and certificates

UL File Number	E363587
----------------	---------

Release date: 2025-01-30 Date of issue: 2025-01-30 Filename: 208869_eng.pdf

Technical Data

Ambient conditions

Ambient temperature	-40 ... 85 °C (-40 ... 185 °F)
Pollution degree	3

Mechanical specifications

Plug connector	
Tightening torque	0.6 Nm
Tool installation	straight knurling , hexagon nut SW = 18 mm
Mating cycles	min. 100
Shielding	iris spring shielding
Degree of protection	IP67
Connection	screw terminals for max. 0.75 mm ² / AWG 18
Cable	
Sheath diameter	5 ... 8 mm
Core cross section	0.75 mm ² / 18 AWG max.
Mass	48.6 g

Material

Plug connector	
Screw connection	Zinc diecast, nickel-plated
Body	Zinc diecast, nickel-plated
Seal	NBR , FKM
Contact surface	Au

Connection Assignment

