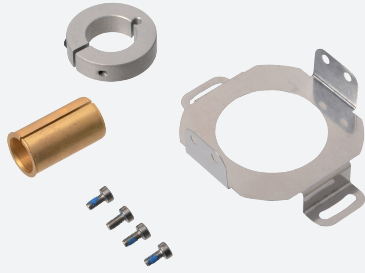


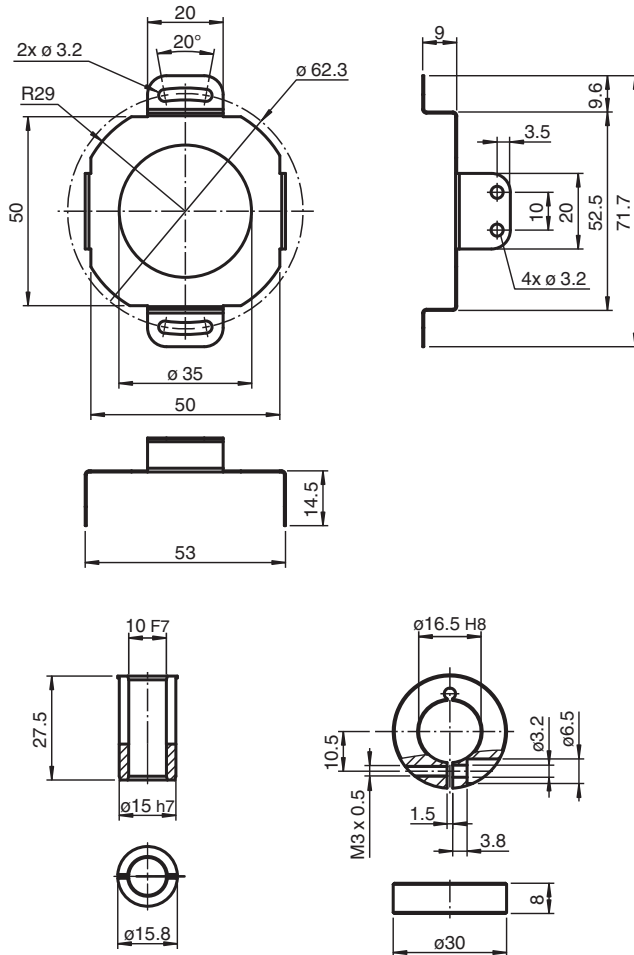
Torque rest

ACC-PACK-ABS-_S_58 ø10



Accessories set for Ø58 absolut rotary encoder with recessed hollow shaft 10 mm

Dimensions



Technical Data

General information

Release date: 2022-11-22 Date of issue: 2022-12-12 Filename: 208955_eng.pdf

Technical Data

Scope of delivery

- 1 Torque rest 58 mm
- 1 clamping ring
- 1 reducing adapter to 10 mm
- 4 cylinder head screws M3 x 6