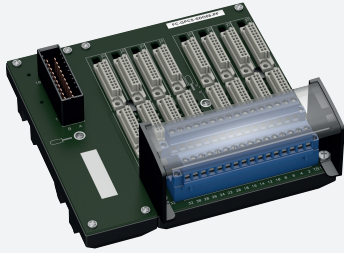


# Termination Board

## FC-GPCS-SDO08-PF



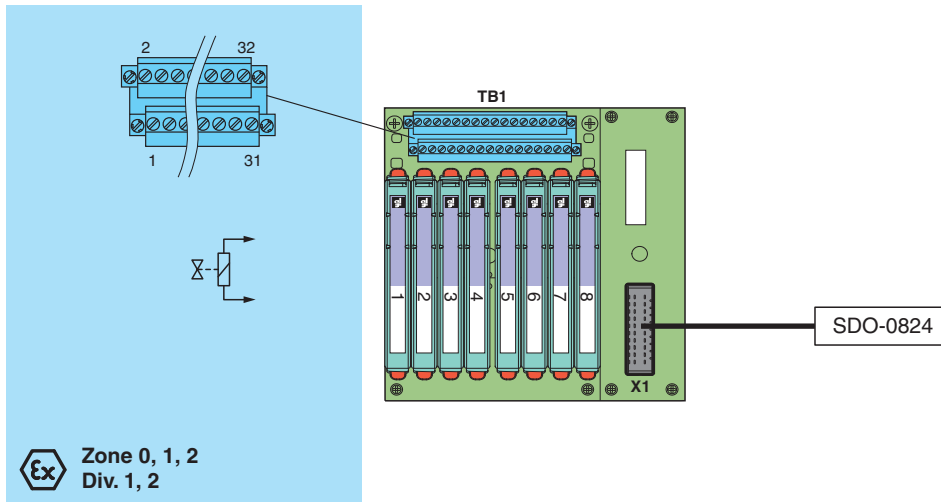
- System board for Honeywell Safety Manager
- For 8-channel DO card SDO-0824
- For 8 modules
- Recommended modules: HiC2871 (DO), HiC5861 (DO), HiC5863 (DO)
- Hazardous area: pluggable screw terminals, blue
- Non-hazardous area: SiC plug, 20-pin



### Function

The function of the termination board and the connector pin assignment are exactly fitted to the requirements of the Honeywell system. The signal is output to the safety instrumented system via the system connector. The termination board has a robust plastic housing. The termination board is mounted in the switch cabinet on a 35 mm DIN mounting rail according to EN 60175.

### Connection



### Technical Data

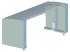
<b>Directive conformity</b>	
Electromagnetic compatibility	
Directive 2014/30/EU	EN 61326-1:2013 (industrial locations)
<b>Conformity</b>	
Electromagnetic compatibility	NE 21:2017 For further information see system description.
Degree of protection	IEC 60529:2001
<b>Ambient conditions</b>	
Ambient temperature	-20 ... 60 °C (-4 ... 140 °F)
Storage temperature	-40 ... 70 °C (-40 ... 158 °F)
<b>Mechanical specifications</b>	
Degree of protection	IP20

Release date: 2023-02-20 Date of issue: 2023-02-20 Filename: 209358\_eng.pdf

## Technical Data

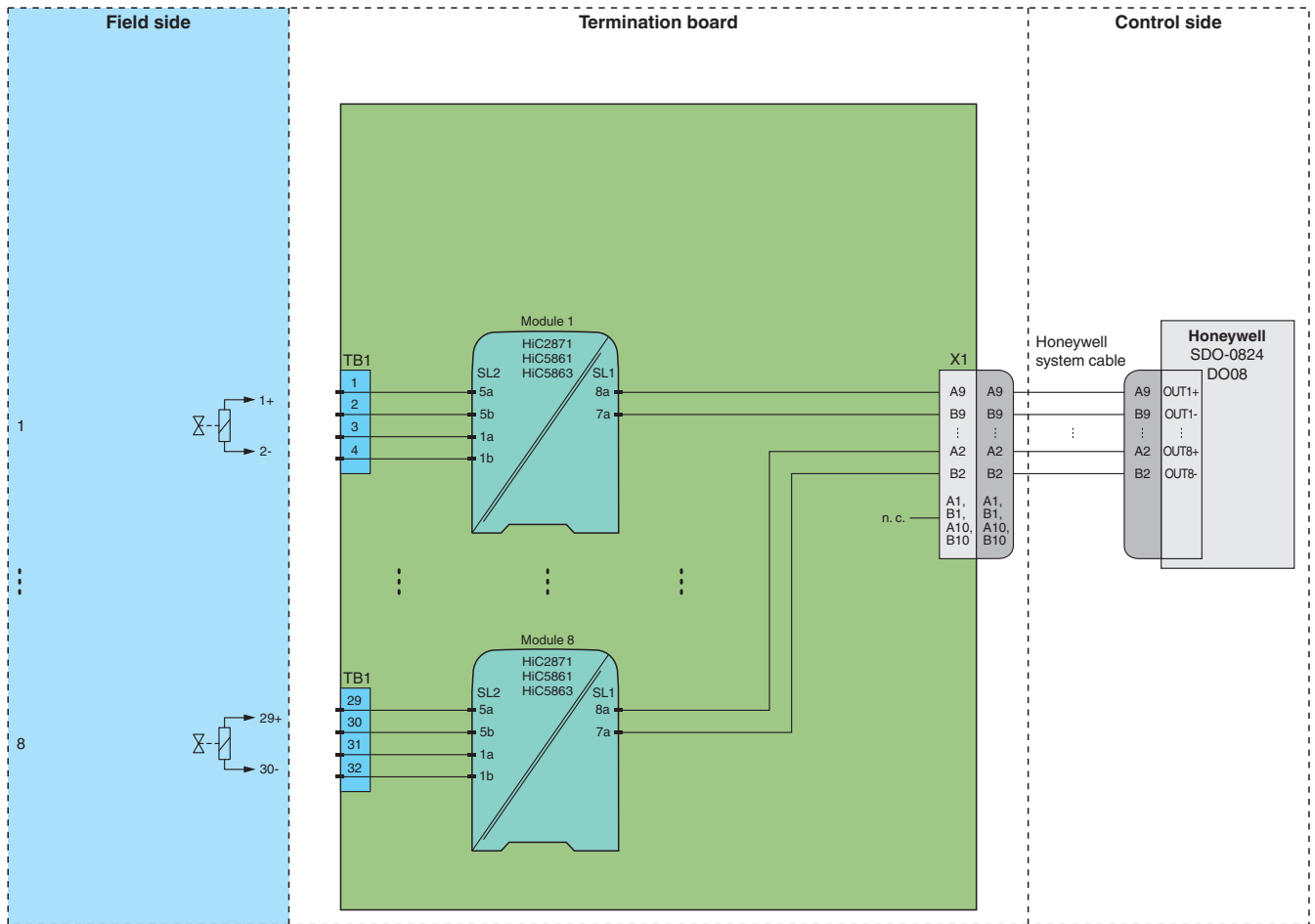
<b>Connection</b>		
Field side		explosion hazardous area: pluggable screw terminals , blue
Control side		non-explosion hazardous area: SiC plug, 20-pin
Core cross section		screw terminals: 0.25 ... 2.5 mm <sup>2</sup> (24 ... 12 AWG)
Material		housing: polycarbonate
Mass		approx. 430 g
Dimensions		159 x 155 x 153 mm (6.3 x 6.1 x 6.0 inch) (W x H x D) , depth including module assembly
Mounting		on 35 mm DIN mounting rail acc. to EN 60715:2001
<b>Data for application in connection with hazardous areas</b>		
EU-type examination certificate		CESI 06 ATEX 022
Marking		⊕ II (1)G [Ex ia Ga] IIC ⊕ II (1)D [Ex ia Da] IIIC ⊕ I (M1) [Ex ia Ma] I
Non-hazardous area		
Maximum safe voltage		250 V (Attention! U <sub>m</sub> is no rated voltage.)
Galvanic isolation		
Field circuit/control circuit		safe electrical isolation acc. to IEC/EN 60079-11, voltage peak value 375 V
Directive conformity		
Directive 2014/34/EU		EN IEC 60079-0:2018+AC:2020 , EN 60079-11:2012 , EN 50303:2000
<b>International approvals</b>		
UL approval		E106378
Control drawing		116-0327
IECEx approval		
IECEx certificate		IECEx CES 06.0003
IECEx marking		[Ex ia Ga] IIC [Ex ia Da] IIIC [Ex ia Ma] I
<b>General information</b>		
Supplementary information		Observe the certificates, declarations of conformity, instruction manuals, and manuals where applicable. For information see <a href="http://www.pepperl-fuchs.com">www.pepperl-fuchs.com</a> .

## Accessories

	<b>HiALC-HICTF-SET-114</b>	Label carrier for HiC termination boards
---	----------------------------	--

**Application**

**Typical circuit**



**Module switch settings**

Type (DO)	
HiC2871, HiC5861, HiC5863	not available



For exact pin assignment for connection to field side and control side, see the documentation of the isolated barrier.



The pin-out configuration has to be observed. For information see corresponding pin-out table on [www.pepperl-fuchs.com](http://www.pepperl-fuchs.com).

Release date: 2023-02-20 Date of issue: 2023-02-20 Filename: 209358\_eng.pdf