



**Model number**

**VAA-3E-HH30-J-S-V1**

AS-Interface enabling switch, 3-layered

**Features**

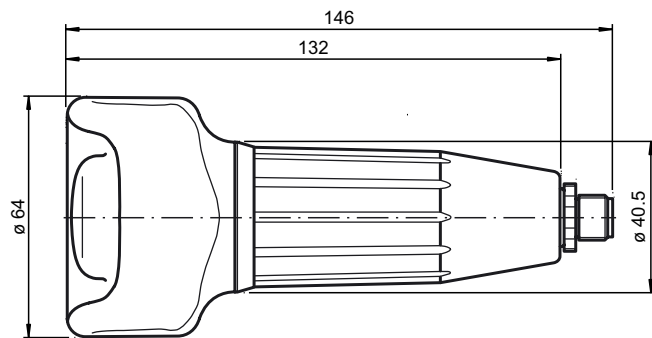
- 3-layered with panic function
- Ergonomic construction with high manipulation security
- M12 plug connection
- Degree of protection IP67

**Function**

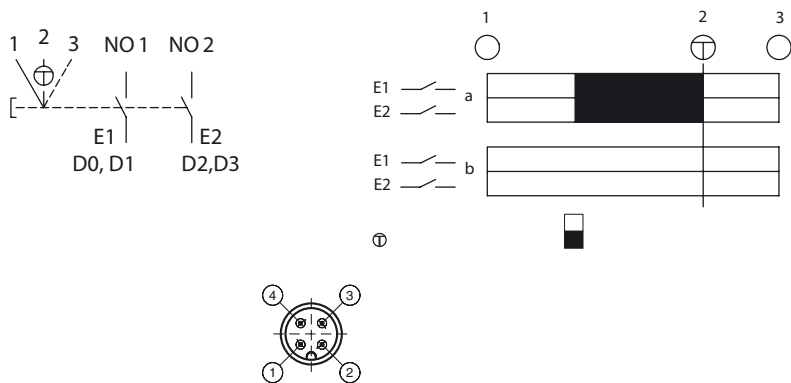
The enabling switch, VAA-3E-HH30-J-S-V1, is a 3-stage actuation switch with 2 inputs. NO contacts E1 and E2 are monitored via the inputs. Evaluation takes place via a safety monitor.

Connection is via an M12 plug. The enabling switch is powered via the AS-Interface. The 3-stage slow-action contact element activates the enabling function only in the second stage. The second stage is the center position and has a pressure point. The enabling function is cancelled by releasing the button as well as by pressing it down. Pressing the button down is also referred to as the panic function. When the depressed button is returned to its initial position, the enabling function is no longer activated. The enabling button has NC contacts for the panic function.

**Dimensions**



**Indicating / Operating means**



**Technical data**

**General specifications**

Slave type	Safety-Slave
AS-Interface specification	V2.1
Required master specification	≥ V2.0
Switching principle	slow-acting contact element, 3-stage
UL File Number	E179102

**Functional safety related parameters**

Performance level (PL)	PL d
B <sub>10d</sub>	1 E+5

**Electrical specifications**

Rated operating voltage	U <sub>e</sub>	26.5 ... 31.6 V from AS-Interface
Rated operating current	I <sub>e</sub>	≤ 45 mA
Rated insulation voltage		50 V

**Input**

Number/Type	2 safety-related inputs: NO E1 NO E2
Supply	from AS-Interface

**Directive conformity**

Electromagnetic compatibility	
Directive 2014/30/EU	EN 62026-2:2013

**Standard conformity**

Degree of protection	EN 60529:2000
AS-Interface	EN 62026-2:2013
Functional safety	DIN EN 954-1, EN ISO 13849-1 (up to PL <sub>d</sub> )

**Programming instructions**

Profile	S-0.B
IO code	0

ase date: 2019-01-09 10:03 Date of issue: 2019-01-09 21:0512\_eng.xml

ID1 code	F
ID2 code	E
<b>Data bits</b> (function via AS-Interface)	<b>Input</b>
D0	dyn. safety code 1
D1	dyn. safety code 1
D2	dyn. safety code 2
D3	dyn. safety code 2
<b>Ambient conditions</b>	
Ambient temperature	-5 ... 50 °C (23 ... 122 °F)
<b>Mechanical specifications</b>	
Degree of protection	IP67
Connection	M12 x 1 connector
<b>Material</b>	
Housing	Polyamide (PA)
Protective cover	Neoprene
Mass	approx. 140 g (without conduction)
Life span	10 <sup>5</sup> cycles

**Accessories****VAZ-HH30-BRACKET**

Bracket for VAA-3E-HH30-J-S-V1

**VAZ-T1-FK-V1**

Splitter box AS-Interface to 1x M12 round connector

**V1-G-0,6M-PUR-V1-G**

Connection cable, M12 to M12, PUR cable, 4-pin

**V1-G-1M-PUR-V1-G**

Connection cable, M12 to M12, PUR cable, 4-pin

**V1-G-10M-PUR-V1-G**

Connection cable, M12 to M12, PUR cable, 4-pin