



Model number

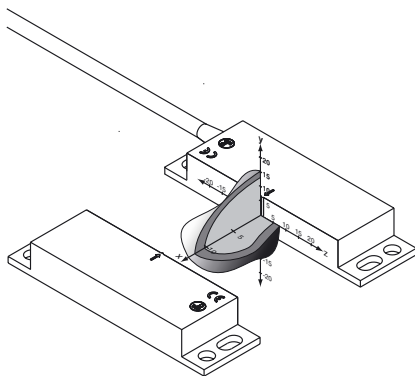
VAA-2E1A-IER1-S-1M-V1

Reed safety switch for non-contact AS-Interface safety switches

Features

- Compact plastic housing
- Encapsulated electronics
- Especially suited to small doors and coverings
- Multiple-flush magnet system
- Cable with M12 plug

Operating distance

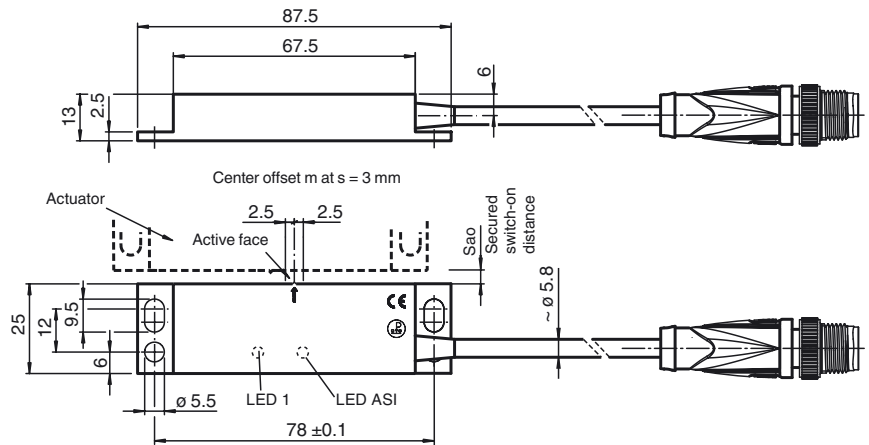


Accessories

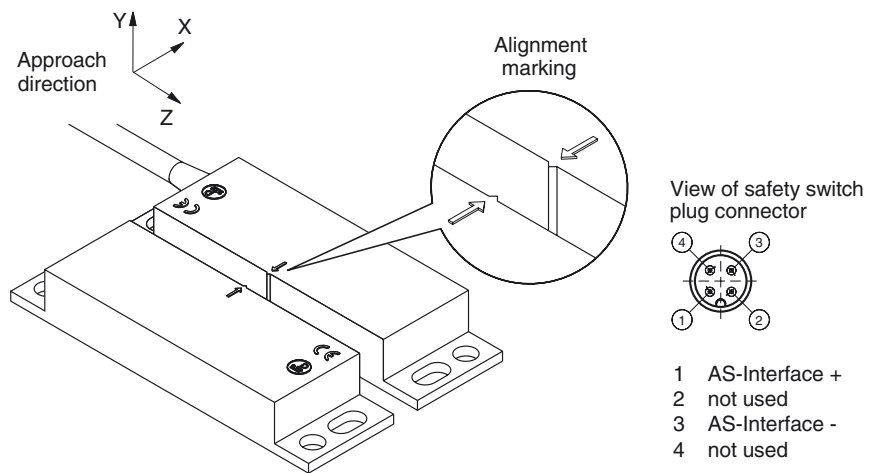
VAZ-T1-FK-V1

Splitter box AS-Interface to 1x M12 round connector

Dimensions



Indicating / Operating means



Technical data

General specifications

Detection type	magnetic
assured start-up distance	S_{a0} 9 mm
assured release distance	S_{ar} \leq 70 mm
Center offset	m \pm 2.5 mm at distance $s = 3$ mm
Slave type	Safety-Slave
AS-Interface specification	V2.1
Required master specification	\geq V2.0
Response delay	$<$ 5 ms
UL File Number	E155795

Functional safety related parameters

Safety Integrity Level (SIL)	SIL 3
Performance level (PL)	PL e
Mission Time (T_M)	20 a
PFH_d	4.29 E-8

Indicators/operating means

LED 1	programmable
LED AS-i	green: normal operation red: no data exchange red/yellow flashing: no data exchange Red/green flashing: Device error in the slave red flashing: Device error in the slave

Electrical specifications

Rated operating voltage	U_e	26.5 ... 31.6 V from AS-Interface
Rated operating current	I_e	\leq 30 mA
Power supply		via AS-Interface network

Output

Number/Type	LED red
Switching voltage	24 V

ase date: 2018-01-24 15:48 Date of issue: 2018-05-17 210518_eng.xml

Supply from AS-Interface

Directive conformity

Electromagnetic compatibility

Directive 2014/30/EU EN 62026-2:2013 IEC 60947-5-3:1999

Machinery Directive

Directive 2006/42/EC EN ISO 12100-1, -2:2003 EN 1088:1995+A2:2008

Standard conformity

Degree of protection EN 60529:2000

AS-Interface EN 62026-2:2013

Functional safety ISO 13849-1:2008 (up to category 3/PL e) EN ISO 12100-1, -2:2003 EN 1088:1995+A2:2008

Programming instructions

Profile S-7.B

IO code 7

ID code B

ID1 code F

ID2 code E

Data bits (function via AS-Interface)

input

output

D0 dyn. safety code 1 -

D1 dyn. safety code 1 LED 1

D2 dyn. safety code 2 -

D3 dyn. safety code 2 -

Parameter bits (programmable via AS-i)

P0 IN1 -

P1 IN2 -

P2 IN3 -

P3 IN4 -

Ambient conditions

Ambient temperature -20 ... 60 °C (-4 ... 140 °F)

Shock and impact resistance 30 g/11 ms

Mechanical specifications

Degree of protection IP67

Connection with fixed cable and M12 connector, 4-pin

Material

Housing PPS

Cable PUR

Installation any position

Cable length 1 m

Life span 100 x 10⁶ switching cycles

Matching system components

VAZ-IER1-ACTUATOR1-S

Actuator for non-contact AS-Interface

Reed safety switch