



Mounting aid OMH-21 30mm-screws

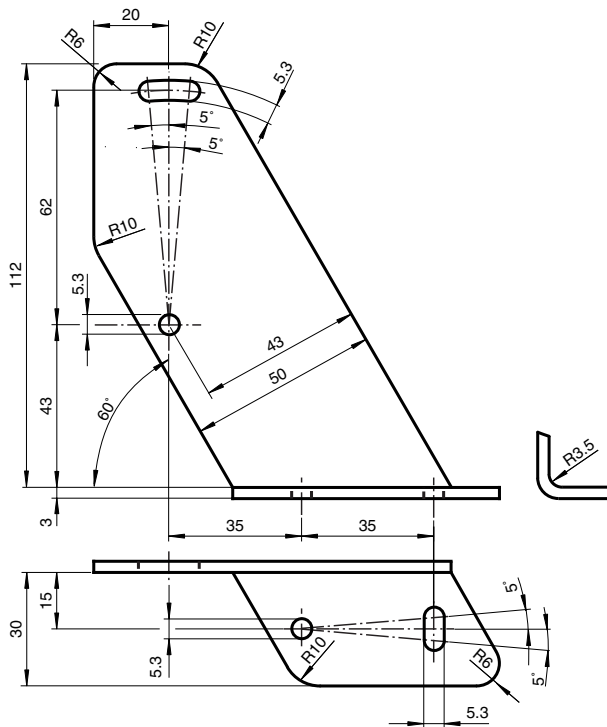


- Mounting bracket
- Simple and fast mounting

Mounting bracket



Dimensions



Technical Data

Mechanical specifications

Material	powder coated steel
Mass	approx. 175 g
Mounting	Mounting accessories included

Suitable series

Series	RL23 RL28 RL29
Safety Series	SLA20 SLA28 SL29, SLA29

Release date: 2020-03-23 Date of issue: 2020-06-29 Filename: 211122_eng.pdf