



Model number

VAA-2E2A-IM1-J-S-V1

AS-Interface safety switch

Features

- Applications up to PL_d
- Rotating metal head
- 40 mm narrow construction, fixture dimensions compatible with all safety switches
- Display of AS-Interface voltage and periphery faults
- M12 plug connection

Function

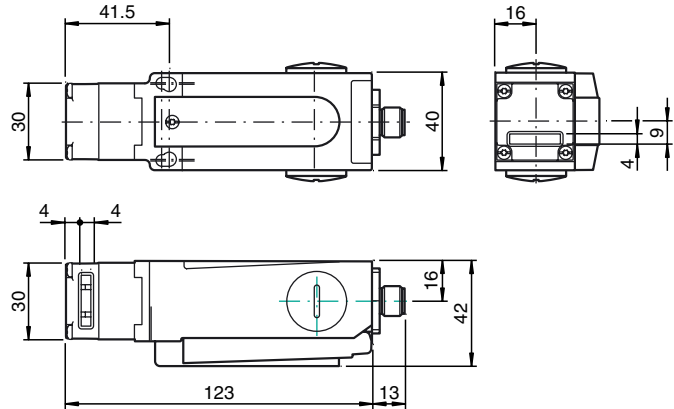
The VAA-2E2A-LIM1-S-V1 safety switch with a separate actuator is a mechanical safety switch with 2 inputs. NC contacts 1 and 2 are monitored via the inputs. Evaluation takes place via a safety monitor.

Connection is via an M12 plug. The safety switch is supplied via the AS-Interface.

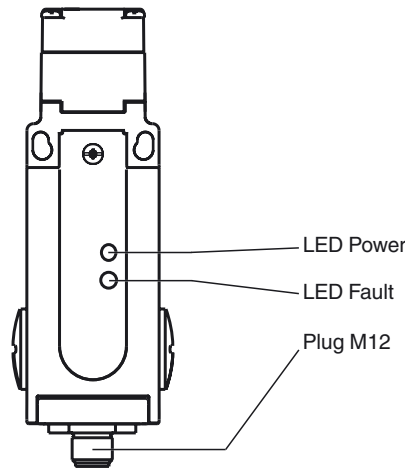
The Power LED indicates operating voltage, the Fault LED indicates a device or communication error.

Depending on the application, 4 different models of mechanical actuators can be ordered separately.

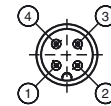
Dimensions



Indicating / Operating means



View of safety switch plug connector



- 1 AS-Interface +
- 2 not used
- 3 AS-Interface -
- 4 not used

Technical data

General specifications

Slave type	Safety-Slave
AS-Interface specification	V2.1
Required master specification	≥ V2.0
UL File Number	E179102

Indicators/operating means

LED FAULT	error display; LED red red: communication error
LED POWER	AS-Interface voltage; LED green

Electrical specifications

Rated operating voltage	U _e	26.5 ... 31.6 V from AS-Interface
Rated operating current	I _e	≤ 45 mA
Rated insulation voltage		50 V

Input

Number/Type	2 safety-related inputs: normally-closed contact 1 normally-closed contact 2
Supply	from AS-Interface

Directive conformity

Electromagnetic compatibility	
Directive 2014/30/EU	EN 62026-2:2013

Standard conformity

Degree of protection	EN 60529:2000
AS-Interface	EN 62026-2:2013
Functional safety	DIN EN 954-1, EN ISO 13849-1 (up to PL _d)

Programming instructions

Profile	S-7.B
IO code	7
ID code	P

ase date: 2019-01-09 10:24 Date of issue: 2019-01-09 211350_eng.xml

ID1 code	F
ID2 code	E
Data bits (function via AS-Interface)	Input
D0	normally-closed contact 1
D1	normally-closed contact 1
D2	normally-closed contact 2
D3	normally-closed contact 2
Ambient conditions	
Ambient temperature	-20 ... 55 °C (-4 ... 131 °F)
Mechanical specifications	
approach speed	≤ 20 m/min
Operating force	25 N
Extraction force	25 N
retention force	10 N
insertion depth	detected min. distance permissible caster
approach direction lateral	24.5 mm 5 mm
approach direction from above	24.5 mm 5 mm
Degree of protection	IP67
Connection	M12 x 1 connector
Material	
Housing	Fiberglass-reinforced thermoplastic
actuating head	metal
cam	stainless steel
Mass	approx. 0.16 kg
Life span	2 x 10 ⁶ switching cycles

Accessories

VAZ-IM1-90°-BOLT-S

Right-angled actuator for AS-Interface safety switches

VAZ-IM1-BOLT-S

Straight actuator for AS-Interface safety switches

VAZ-IM1-LR-RADIUS-BOLT-S

Hinged actuator for right/left mounted doors, for AS-Interface safety switches

VAZ-IM1-TD-RADIUS-BOLT-S

Hinged actuator for top/bottom mounted doors, for AS-Interface safety switches

VAZ-IM1-BASE-BOLT-S

Latches for mechanical safety switches (LIM1 and IM1)

VAZ-IM1-BASE-S

Switch mount for mechanical safety switches (LIM1 and IM1)

VAZ-T1-FK-1M-PUR-V1-G

Splitter box AS-Interface to 1x M12 round connector