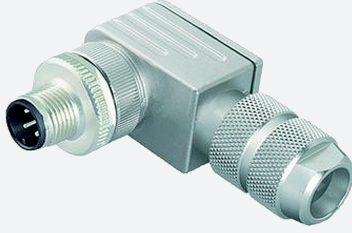


Male connector, field-attachable

V1S-W-ABG-PG9

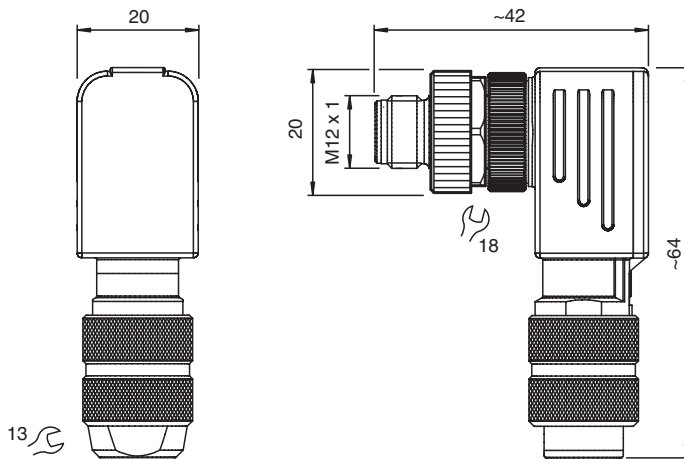


- Field-attachable, shieldable
- Metal housing
- Iris spring shielding
- cURus approval

Male connector M12 angled A-coded 4-pin, for cable diameter 5 - 8 mm, shielded, field-attachable



Dimensions



Technical Data

General specifications

Connector 1	
Connection	plug
Construction type	M12
Style	angled
Locking	screw connection
Number of pins	4
Coding	A-coded
Customization	Coding rotateable in steps of 90°

Electrical specifications

Operating voltage	U_B	max. 250 V AC/DC
Operating current	I_B	4 A
Insulation resistance		min. 100 M Ω

Conformity

Degree of protection	EN 60529
Plug connection	connector M12 x 1 : IEC 61076-2-101

Approvals and certificates

Release date: 2025-01-30 Date of issue: 2025-01-30 Filename: 211364_eng.pdf

Technical Data

UL File Number	E363587
Ambient conditions	
Ambient temperature	-40 ... 85 °C (-40 ... 185 °F)
Pollution degree	3
Mechanical specifications	
Plug connector	
Tightening torque	0.6 Nm
Tool installation	straight knurling , hexagon nut SW = 18 mm
Mating cycles	min. 100
Shielding	iris spring shielding
Degree of protection	IP67
Connection	screw terminals for max. 0.75 mm ² / AWG 18
Cable	
Sheath diameter	5 ... 8 mm
Core cross section	0.75 mm ² / 18 AWG max.
Mass	66.97 g
Material	
Plug connector	
Screw connection	Zinc diecast, nickel-plated
Body	Zinc diecast, nickel-plated
Seal	NBR
Contact surface	Au

Connection Assignment

