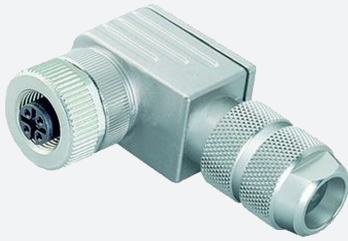


Female connector, field-attachable

V15B-W-ABG-PG9

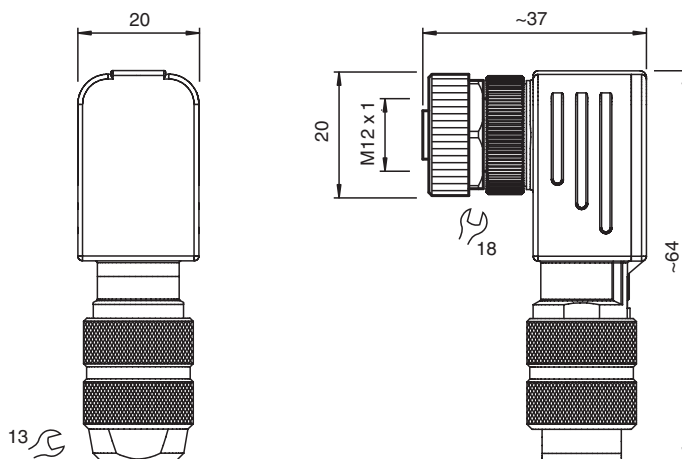


- B-coding for PROFIBUS
- Field-attachable, shieldable
- Metal housing
- Iris spring shielding
- cURus approval

Female connector M12 angled B-coded 5-pin, for cable diameter 6 - 8 mm, shielded, field-attachable



Dimensions



Technical Data

General specifications

Connector 1		
Connection		socket
Construction type		M12
Style		angled
Locking		screw connection
Number of pins		5
Coding		B-coded
Customization		Coding rotateable in steps of 90°

Electrical specifications

Operating voltage	U_B	max. 48 V AC / 60 V DC
Operating current	I_B	max. 4 A
Insulation resistance		min. 10000 M Ω

Conformity

Degree of protection		EN 60529
Plug connection		connector M12 x 1 : IEC 61076-2-101

Approvals and certificates

Release date: 2025-01-30 Date of issue: 2025-01-30 Filename: 211365_eng.pdf

Technical Data

UL File Number	E363587
Ambient conditions	
Ambient temperature	-40 ... 85 °C (-40 ... 185 °F)
Pollution degree	3
Mechanical specifications	
Plug connector	
Tightening torque	0.6 Nm
Tool installation	straight knurling , hexagon nut SW = 18 mm
Mating cycles	min. 50
Shielding	iris spring shielding
Degree of protection	IP67
Connection	screw terminals for max. 0.75 mm ² / AWG 18
Cable	
Sheath diameter	6 ... 8 mm
Core cross section	0.75 mm ² / 18 AWG max.
Mass	70.76 g
Material	
Plug connector	
Screw connection	Zinc diecast, nickel-plated
Body	Zinc diecast, nickel-plated
Contact surface	Au

Connection Assignment

