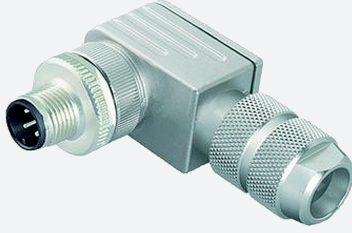


# Male connector, field-attachable

## V1SD-W-ABG-PG9

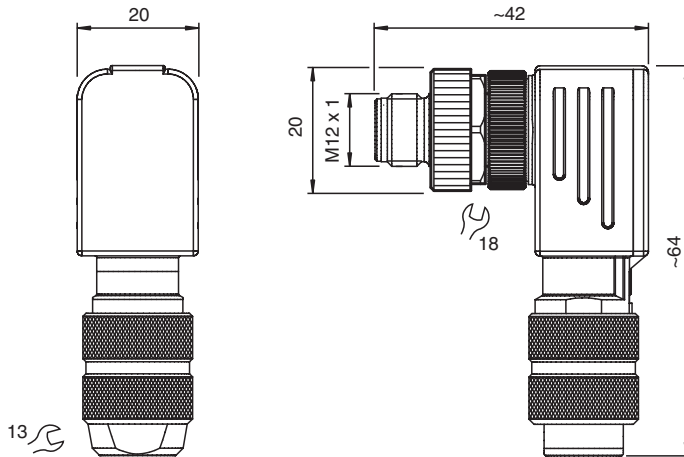


- D coding for Ethernet
- Conforms to PROFINET
- Field-attachable, shieldable
- Metal housing
- Iris spring shielding
- cURus approval

Male connector M12 angled D-coded 4-pin, for cable diameter 5 - 8 mm, shielded, field-attachable



### Dimensions



### Technical Data

General specifications		
Connector 1		
Connection		plug
Construction type		M12
Style		angled
Locking		screw connection
Number of pins		4
Coding		D-coded
Customization		Coding rotateable in steps of 90°
Electrical specifications		
Operating voltage	$U_B$	max. 250 V AC/DC
Operating current	$I_B$	4 A
Insulation resistance		min. 10000 M $\Omega$
Conformity		
Degree of protection		EN 60529
Plug connection		connector M12 x 1 : IEC 61076-2-101
Component category		CAT5 (IEC 11801)

Release date: 2025-01-30 Date of issue: 2025-01-30 Filename: 211368\_eng.pdf

## Technical Data

### Approvals and certificates

UL File Number	E363587
----------------	---------

### Ambient conditions

Ambient temperature	-40 ... 85 °C (-40 ... 185 °F)
Pollution degree	3

### Mechanical specifications

Plug connector	
Tightening torque	0.6 Nm
Tool installation	straight knurling , hexagon nut SW = 18 mm
Mating cycles	min. 100
Shielding	iris spring shielding
Degree of protection	IP67
Connection	screw terminals for max. 0.75 mm <sup>2</sup> / AWG 18
Cable	
Sheath diameter	5 ... 8 mm
Core cross section	0.75 mm <sup>2</sup> / 18 AWG max.
Mass	67.04 g

### Material

Plug connector	
Screw connection	Zinc diecast, nickel-plated
Body	Zinc diecast, nickel-plated
Contact surface	Au

## Connection Assignment

