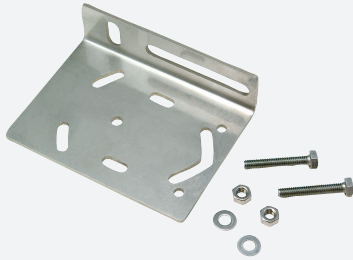


Mounting aid

OMH-RL31-05

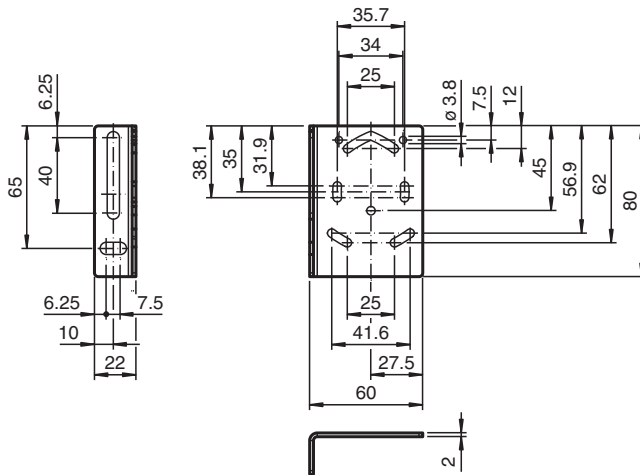


- Mounting bracket
- Simple and fast mounting

Mounting bracket for mounting on flat surfaces with 2 M4 screws



Dimensions



Technical Data

General specifications

Accessories provided: Mounting set for one sensor

Mechanical specifications

Material: Stainless steel

Suitable series

Series: Series 31

Release date: 2020-03-23 Date of issue: 2020-06-30 Filename: 212659_eng.pdf