



Control interface unit

IC-KP-B17-AIDA1

- Max. 4 read/write heads connectable
- Alternative 2 read/write heads and 2 trigger sensors can be connected
- LED status indicator of bus communication and read/write heads
- TCP/IP, MODBUS/TCP, EtherNet/IP and PROFINET IO protocol
- Connector acc. to AIDA specifications
- Integrated switch allows line topology

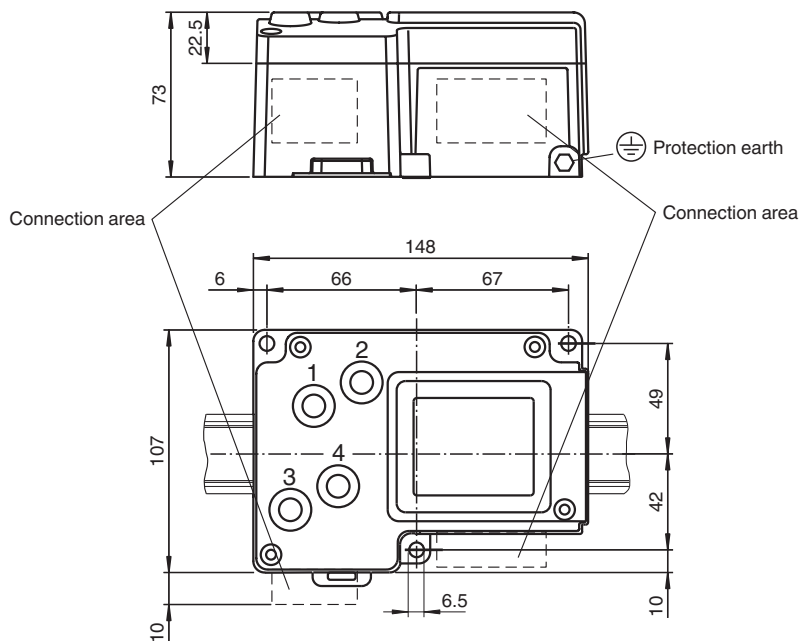
IDENTControl control interface with Ethernet interface for TCP/IP, PROFINET, EtherNet/IP, and MODBUS TCP protocols



Function

The innovative concept of the RFID identification system IDENTControl from Pepperl+ Fuchs has many advantages in comparison to other systems. The core piece of the system is the evaluation unit IDENTControl. Thanks to the integrated interfaces for all standard field bus systems such as PROFIBUS, EtherNet, PROFINET IO, DeviceNet, serial connections (RS 232/RS 485/RS 422) and numerous connection options for inductive write/read heads as well as microwave antennas, the evaluation unit IDENTControl can be adjusted to your needs in a flexible and easy manner. LEDs indicate operating power and bus communication, connected write/read heads and active write/read commands. Mounting the unit onto DIN mounting rails is easy thanks to the snap-fits on the back of the housing of the evaluation unit IDENTControl. With its L-shaped housing, the evaluation unit including bus connector fits into a 120 mm grid in the switch cabinet. The mounting depth of 70 mm furthermore enables installation in flat switch boxes with a depth of only 100 mm. There are 3 further mounting holes for field mounting.

Dimensions



Technical Data

General specifications

Release date: 2023-08-07 Date of issue: 2023-08-07 Filename: 213244_eng.pdf

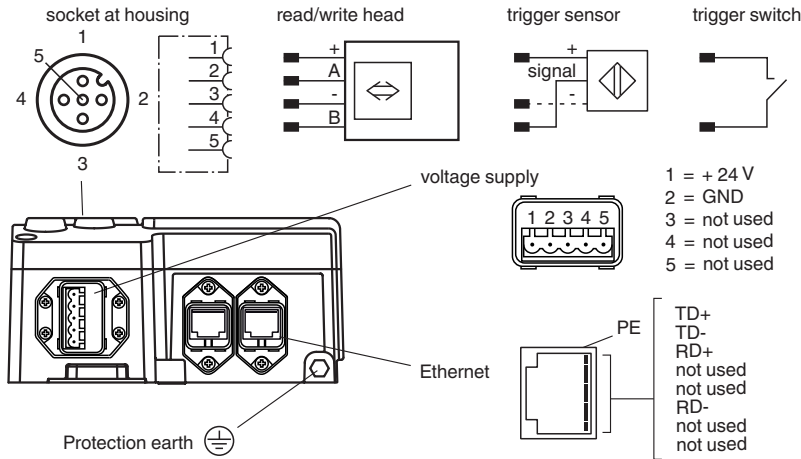
Technical Data

Number of read/write heads		max. 4 alternative 2 read/write heads and 2 trigger sensors
UL File Number		E87056
MTBF		55 a (Operation at +40 °C)
Indicators/operating means		
LEDs CH1, CH2, CH3, CH4		Status indicator for read/write heads green: command at read/write head active yellow: approx. 1 second long, if command was successfully executed
LED PWR/ERR		green: power on red: PROFINET bus failure
LED Link1/Link2		green: network connection
LED Traffic		green: flashes in rhythm with the transmitted data
LC display		two-line multi-function display with 12 characters per line configuration of the control interface and display of connected read/write heads as additional pictograms; easy and direct selection of operating commands
Button		4 keys: ESC, up, down and return
Electrical specifications		
Rated operating voltage	U_e	20 ... 30 V DC , PELV
Ripple		≤ 10 % at 30 V DC
Current consumption		≤ 8 A incl. read/write heads
Power consumption	P_0	3.5 W Without read/write heads
Galvanic isolation		basic insulation acc. to DIN EN 50178, rated insulation voltage of 50 V _{eff}
Interface 1		
Physical		Ethernet
Protocol		SMTP HTTP TCP/IP (Port 10000) MODBUS/TCP EtherNet/IP PROFINET IO
Transfer rate		10 MBit/s or 100 MBit/s
Interface 2		
Physical		Ethernet
Protocol		SMTP HTTP TCP/IP (Port 10000) MODBUS/TCP EtherNet/IP PROFINET IO
Transfer rate		10 MBit/s or 100 MBit/s
Directive conformity		
Electromagnetic compatibility		
Directive 2014/30/EU		EN 61326-1
RoHS		
Directive 2011/65/EU (RoHS)		IEC/EN 63000
Standard conformity		
Degree of protection		IEC 60529
Ambient conditions		
Ambient temperature		-25 ... 70 °C (-13 ... 158 °F)
Storage temperature		-30 ... 80 °C (-22 ... 176 °F)
Climatic conditions		air humidity max. 96 %
Shock and impact resistance		Oscillation (Sine): 5 g, 10 - 1000 Hz to EN 60068-2-6 Shock (Half-sine): 30 g, 11 ms in accordance with EN 60068-2-27
Mechanical specifications		
Housing length		148 mm
Housing width		105 mm
Housing height		73 mm
Degree of protection		IP67

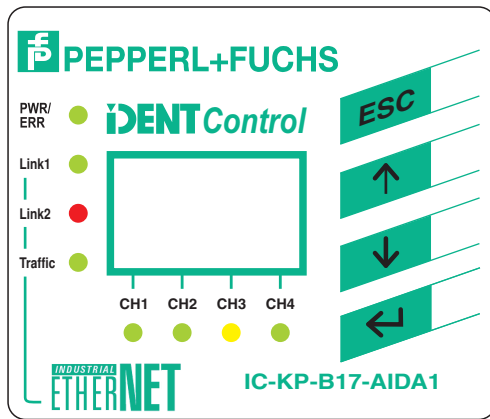
Technical Data

Connection	Read/write heads: shielded, 4-pin, M12 connector Power supply: MSTB AIDA Protective earth: M6 earthing screw Ethernet: RJ-45 AIDA
Material	
Housing	powder coated aluminum
Installation	snap-on to 35 mm standard rail or screw fixing
Mass	approx. 1000 g

Connection



Assembly













Accessories

	V1-G-2M-PUR-ABG-V1-W	Cordset M12 socket straight to M12 plug angled A-coded, 4-pin, PUR cable grey, shielded
	V1-G-10M-PUR-ABG-V1-W	Cordset M12 socket straight to M12 plug angled A-coded, 4-pin, PUR cable grey, shielded
	ICZ-AIDA1-B	Blind plug for IC-KP-B17-AIDA1

Release date: 2023-08-07 Date of issue: 2023-08-07 Filename: 213244_eng.pdf

Accessories

	ICZ-AIDA3-MSTB-0,2M-PUR-V1-G	Connection cable MSTB to M12 connector
	ICZ-AIDA3-MSTB-5M-PUR	Connection cable MSTB to cable tail
	ICZ-AIDA2-V45	Plug connector for RJ-45
	ICZ-AIDA2-V45-0,2M-PUR-V1D-G	Connecting cable RJ-45 to M12 D-coded
	ICZ-AIDA2-V45-5M-PUR-V45-G	Connecting cable RJ-45 to RJ-45, PUR cable 4-pole, CAT5e
	V1-G-5M-PUR-ABG-V1-W	Cordset M12 socket straight to M12 plug angled A-coded, 4-pin, PUR cable grey, shielded
	V1-G-5M-PUR-ABG	Female cordset single-ended M12 straight A-coded, 4-pin, PUR cable grey, shielded
	ICZ-AIDA1-V45	Plug connector for RJ-45
	ICZ-AIDA3-MSTB	MSTB connector, lockable
	CBL-PUR-E1S-GN-04x034-100M	Cable, PUR/PP, 4-core green, Cat5e, shielded, UL approved, drag chain suitable