

Timer, Counter, Tachometer KC-LED-96-1T-24VDC

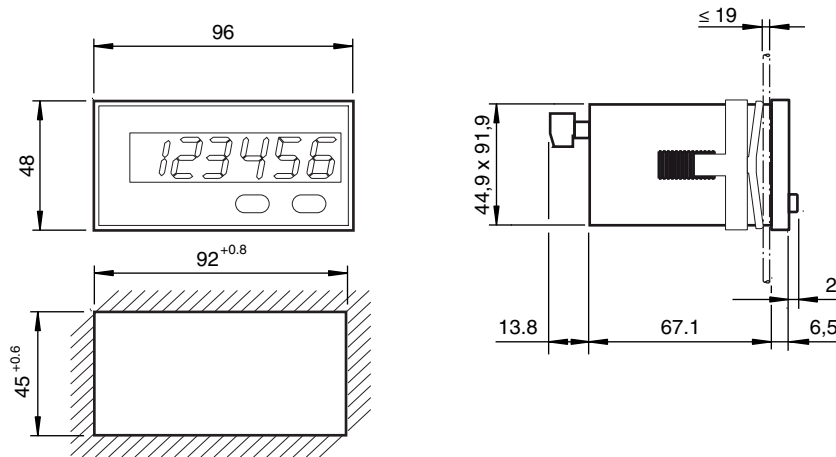


- Counter/Timer/Tachometer
- Extremely bright, large LED indicator
- 1 pre-select value with transistor output
- Adding/subtracting via 2 separate inputs
- PNP and NPN sensors can be connected
- Degree of protection IP65 (front only)

LED display with 24 VDC supply voltage



Dimensions



Technical Data

General specifications

Pre-selection	single
Data storage	EEPROM
Programming	keypad-driven menu

Indicators/operating means

Type	6-digit 7-segment LED display, red
Display value	digit height 14 mm
Display interval	0.001 s ... 999999 h
Decimal point	0 to max 3 fractional digits
Accuracy	Speed indicator: < 0.1%; timer: < 50 ppm
Reset	manually or external

Electrical specifications

Fusing	10 ... 30 V DC: T 0.1 A
Operating voltage	U_B 10 ... 30 V DC
Operating current	I_B max. 50 mA

Input

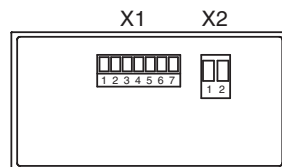
Signal voltage	
----------------	--

Release date: 2023-11-21 | Date of issue: 2023-11-21 | Filename: 215124_eng.pdf

Technical Data

High	0.6 x U _e ... 30 V DC
Low	0 ... 0.2 x U _e
Counting frequency	30 Hz / 60 kHz with position display max. 25 kHz
Minimum pulse duration	5 ms for reset input
Impedance	approx. 5 kOhm
Counting method	adding or subtracting
Compliance with standards and directives	
Directive conformity	
EMC Directive 2004/108/EC	EN 61000-6-2:2005
Standard conformity	
Emitted interference	DIN EN 55011:2009, Class B
Ambient conditions	
Ambient temperature	-20 ... 65 °C (-4 ... 149 °F) non-condensing
Storage temperature	-25 ... 70 °C (-13 ... 158 °F)
Altitude	0 ... 2000 m
Mechanical specifications	
Degree of protection	IP65 (front)
Mass	approx. 140 g
Dimensions	96 mm x 48 mm x 89.4 mm

Connection



Connection assignment X2

Terminal No.	DC version
1	Power supply 0 V DC (GND)
2	Power supply 10 ... 30 V DC

Connection assignment X1

Terminal No.	DC version
1	Optocoupler collector output
2	Optocoupler emitter output
3	SET
4	INP B
5	INP A
6	n.c.
7	n.c.