

**Model Number**

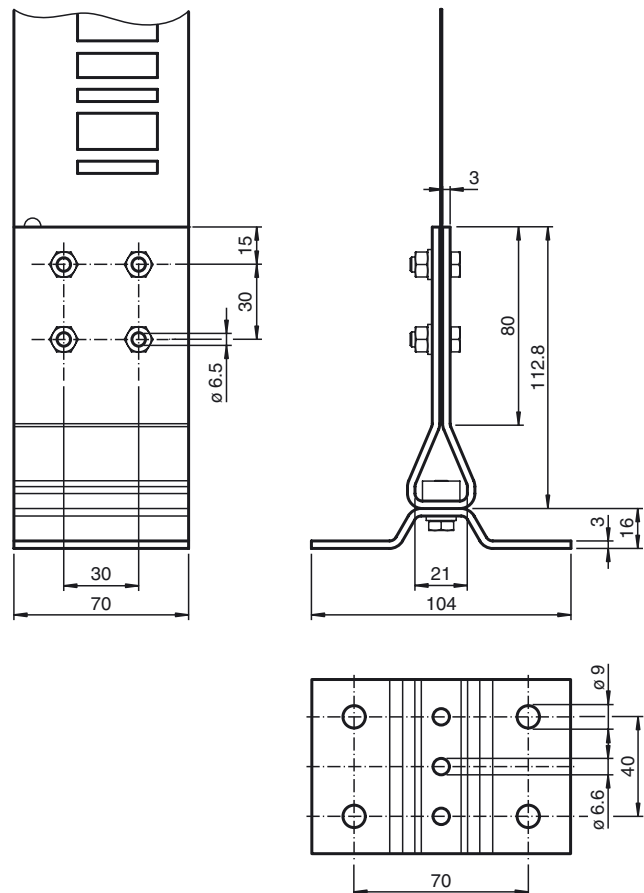
WCS-MB-R1

Mounting bracket

**Matching system components**

WCS3-CS70-M1

WCS3 code rail

**Dimensions****Technical data****Ambient conditions**

Ambient temperature -40 ... 100 °C (-40 ... 212 °F)

**Mechanical specifications**

Material thickness 2 mm

Material Metal sheet (steel), zinc-plated

Mass 710 g