

Mounting aid OMH-C110-01

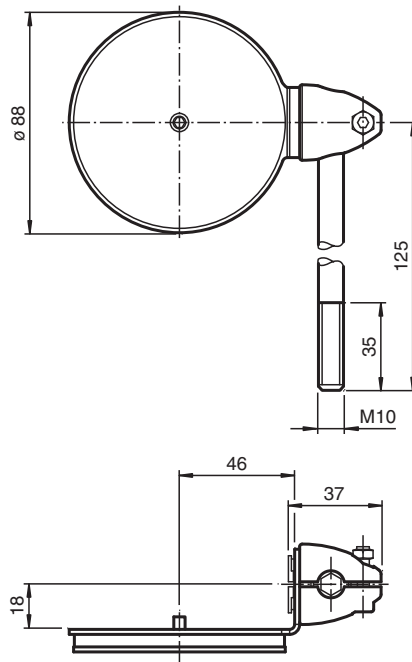


- Mounting bracket
- Simple and fast mounting
- Fixed setting

Mounting bracket



Dimensions



Technical Data

Mechanical specifications

| | |
|------------------------|-------------------------------|
| Material | Stainless steel |
| Mass | approx. 277 g |
| Mounting | Mounting accessories included |
| Suitable series | |
| Series | reflector C110-2 |
| Reflector series | C110-2 |