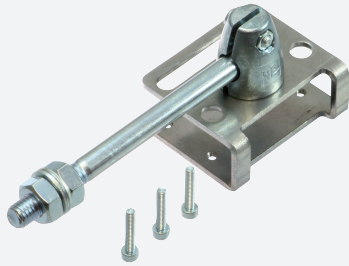


Mounting aid OMH-RL31-06

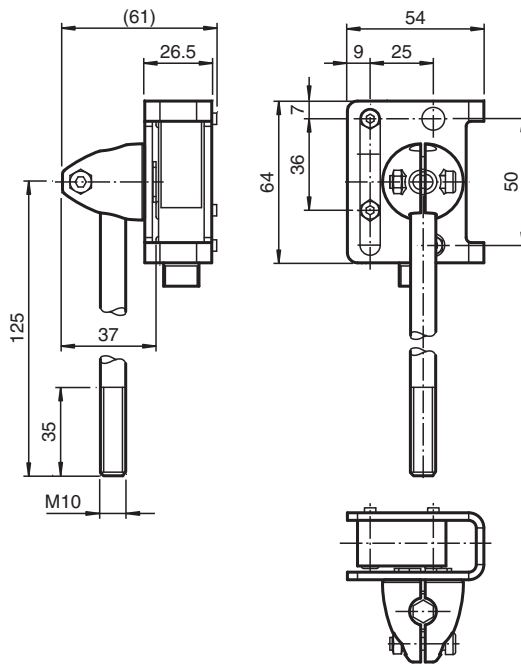


- Mounting bracket
- Simple and fast mounting
- Fixed setting

Stainless steel mounting bracket with adjustable half clamp on the side



Dimensions



Technical Data

Mechanical specifications

Material	Stainless steel, zinc plated steel, diecast zinc
Mass	approx. 303 g
Mounting	Mounting accessories included

Suitable series

Series	Series 31
--------	-----------