



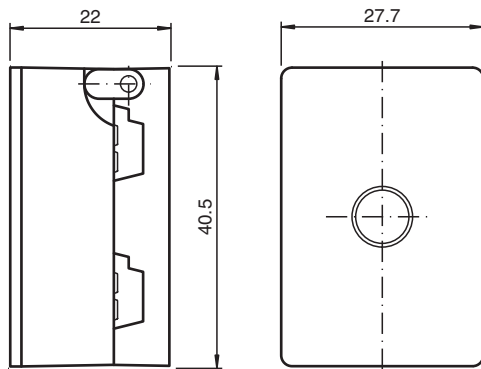
AS-Interface splitter box VAZ-2FK-G10-BRIDGE

- One piece housing
- Simple and fast mounting
- High current rating
- Gold-plated and machined contacts
- Degree of protection IP68 / IP69K

Splitter box G10, flat cable to flat cable



Dimensions



Technical Data

| General specifications | |
|--|---|
| Construction type | Flat cable terminals |
| Electrical specifications | |
| Rated operating voltage | $U_e \leq 60 \text{ V PELV}$ |
| Rated operating current | $I_e \leq 8 \text{ A}$ |
| Protection class | III |
| Current loading capacity | 12 A with a wire cross section of 2.5 mm ² |
| Surge protection | overvoltage category III |
| Compliance with standards and directives | |
| Standard conformity | |
| Degree of protection | EN 60529:2000 |
| Approvals and certificates | |
| UL approval | cULus Listed, Type 1 enclosure |
| Application | for use in NFPA 79 applications |
| Maximum permissible operating voltage | max. 32 V |
| UL File Number | E223772 |
| Ambient conditions | |
| Ambient temperature | -25 ... 75 °C (-13 ... 167 °F) |
| Storage temperature | -25 ... 85 °C (-13 ... 185 °F) |
| Pollution degree | 3 |

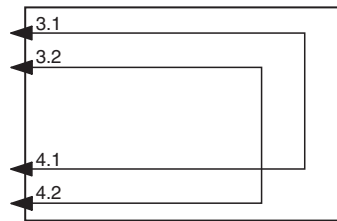
Release date: 2024-12-12 Date of issue: 2024-12-12 Filename: 216026_eng.pdf

Technical Data

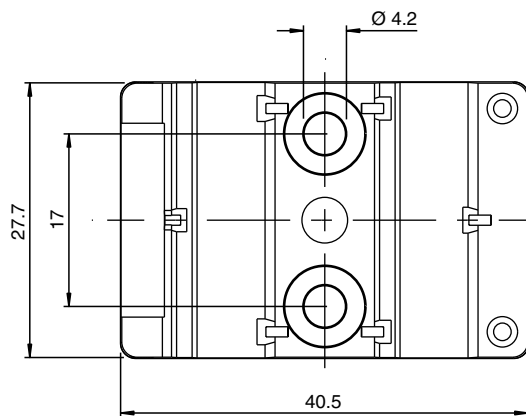
Mechanical specifications

| | |
|-------------------------------------|--|
| Degree of protection | IP67 IP67 / IP68 / IP69K with flat cable VAZ-FK-S-* |
| Connection | Flat cable: cable piercing method |
| Material | |
| Contacts | CuSn / Au |
| Housing | PBT PC |
| Mounting screw | Stainless steel 1.4305 / AISI 303 |
| Mass | 40 g |
| Tightening torque, fastening screws | 1.65 Nm |
| Dimensions | |
| Height | 22 mm |
| Width | 27.7 mm |
| Length | 40.5 mm |

Connection



Mounting



You may screw the device onto a level mounting surface using two M4 attachment screws. The attachment screws are not included.