



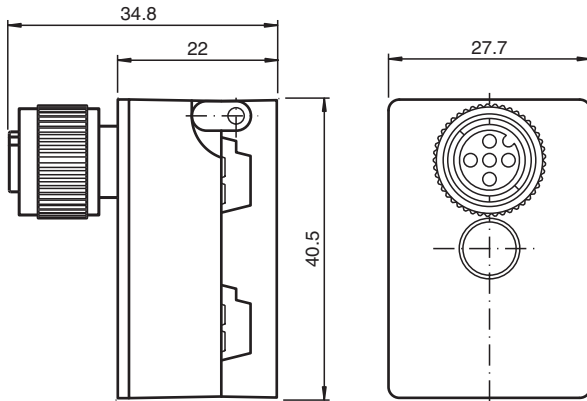
AS-Interface splitter box VAZ-2T1-FK-G10-V1

- One piece housing
- Simple and fast mounting
- Gold-plated and machined contacts
- Immunity to vibration
- Degree of protection IP68 / IP69K

Splitter box G10, AS-Interface and auxiliary voltage to M12



Dimensions



Technical Data

General specifications

Construction type	Socket, straight Flat cable terminals AS-Interface/ext. auxiliary voltage
-------------------	--

Electrical specifications

Rated operating voltage	U_e	≤ 60 V PELV
Rated operating current	I_e	≤ 4 A AS-Interface, ≤ 4 A AUX
Protection class		III
Surge protection		overvoltage category III
Pulse withstand voltage		800 V

Compliance with standards and directives

Standard conformity		
Degree of protection		EN 60529:2000

Approvals and certificates

UL approval		cULus Listed, Type 1 enclosure
Application		for use in NFPA 79 applications
Maximum permissible operating voltage		max. 32 V
UL File Number		E223772

Ambient conditions

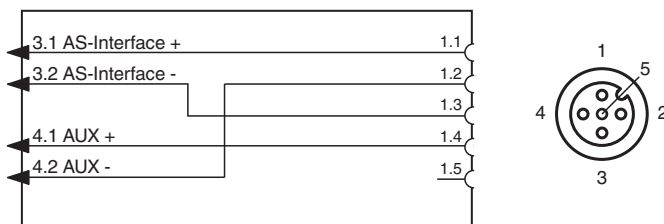
Ambient temperature		$-25 \dots 75$ °C ($-13 \dots 167$ °F)
---------------------	--	---

Release date: 2024-12-12 Date of issue: 2024-12-12 Filename: 216028_eng.pdf

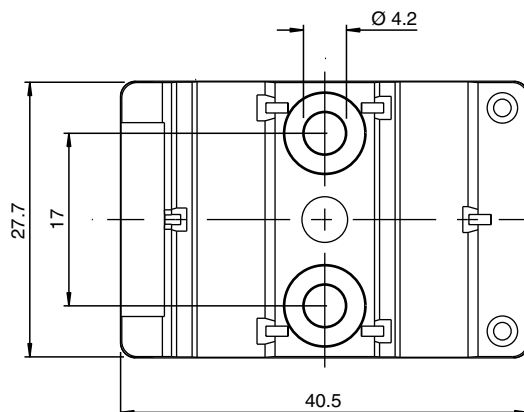
Technical Data

Storage temperature	-25 ... 85 °C (-13 ... 185 °F)
Pollution degree	3
Mechanical specifications	
Degree of protection	IP67 IP67 / IP68 / IP69K with flat cable VAZ-FK-S-*
Connection	Flat cable AS-Interface: cable piercing method Flat cable ext. auxiliary voltage U_{AUX} : Insulation penetration technology Plug connection: M12 x 1 socket (V1)
Material	
Contacts	CuSn / Au
Housing	PBT PC
Mounting screw	Stainless steel 1.4305 / AISI 303
Mass	45 g
Tightening torque, fastening screws	1.65 Nm
Dimensions	
Height	22 mm
Width	27.7 mm
Length	40.5 mm

Connection



Mounting



You may screw the device onto a level mounting surface using two M4 attachment screws. The attachment screws are not included.